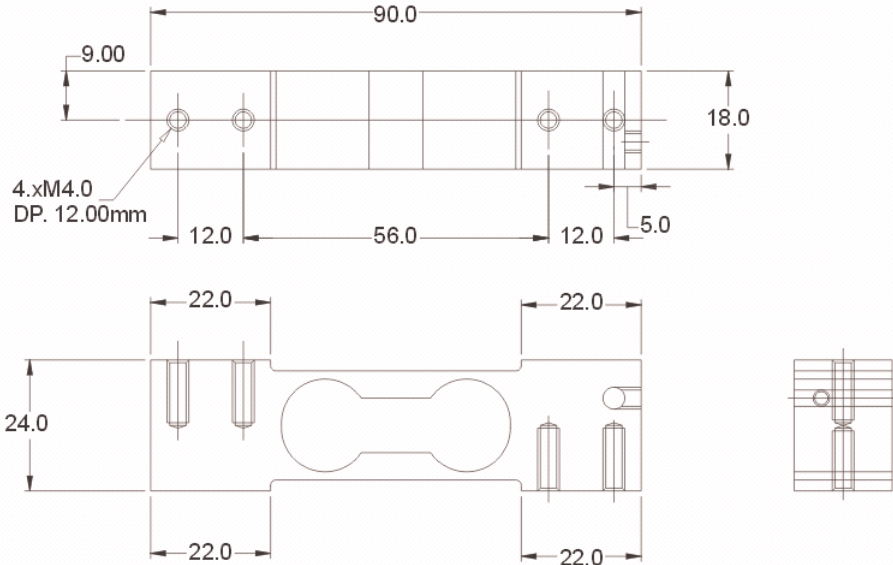




FAJ Single Point, Aluminum



CAPACITY MODEL	
3kg	FAJ-3kg
5kg	FAJ-5kg
7kg	FAJ-7kg
10kg	FAJ-10kg

DESCRIPTION	PRICE LIST
Single Point Aluminum Load Cells • 3, 5, 7, 10 kg capacities	\$95.00

SPECIFICATIONS:

Full Scale Output:	2.0 mV/V ± 10%
Creep after 20 minutes:	0.03% of FS output
Total Error:	0.03% of FS output
Safe Overload:	1.5 x rated capacity
Insulation Resistance:	>5000 MΩ
Temp. Compensated:	32°F to 104°F (0°C to +40°C)
Input Impedance:	400Ω ± 30Ω
Output Impedance:	350Ω ± 3Ω
Rated Excitation:	10V DC/AC
Maximum Excitation:	20V DC/AC
Cable Length:	1 feet

SCHEMATIC:

