

# MS-1000



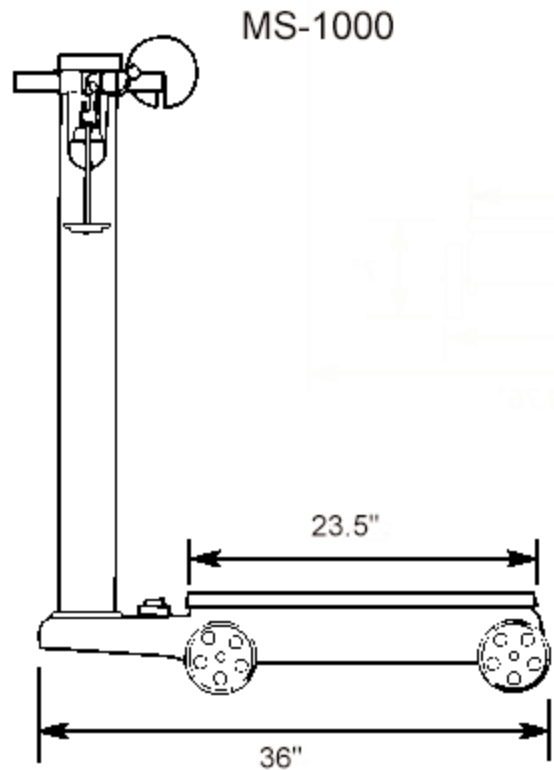
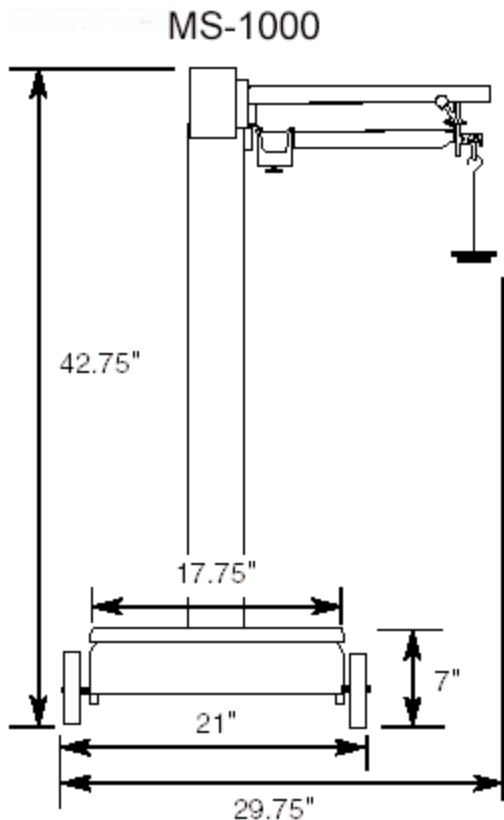
This highly durable avoirdupois and metric portable beam scale is designed for heavy duty industrial applications. The platform, base, wheels and lever system are made of heavy duty cast iron. The chrome plated beam has large, easy to read graduations and a brass inset. The beam is double sided to indicate lbs and kg and comes with tip weights for both. The poise clearly shows exact weight and has a set screw to hold it in place when preset. The timeless design and quality of the MS-1000 assures long-term reliability and performance.



# MS-1000

## SPECIFICATIONS & FEATURES

- ▷ Capacity x beam graduations:  
1000 lbs x 0.5 lb  
500 kg x 200 g
- ▷ Dual sided beam with lb and kg tip weights
- ▷ Easy to read poise with set screw to hold firmly in place when pre set
- ▷ Heavy duty cast iron base, wheels, lever system and platform
- ▷ Easy to move and maneuver
- ▷ Easily converted to electronic with single S-beam load cell



YOUR AUTHORIZED TRANSCCELL DEALER IS:



Specifications and features subject to change without notice.

REV 5-15-03



**TRANSCCELL TECHNOLOGY, INC.**

975 Deerfield Pkwy, Buffalo Grove, IL 60089

Tel (847) 419-9180 Fax (847) 419-1515

**(800) 503-9180**

[www.transcell.net](http://www.transcell.net)