



TRANSCCELL TECHNOLOGY, INC.

TI-300 Series

Digital Indicator

Setup / Operation Manual

Revision 1.0
June 20, 2005

© 2005 Transcell Technology, Inc.

Contents subject to change without notice.

Transcell Technology, Inc.
975 Deerfield Parkway
Buffalo Grove, IL 60089
Tel (847) 419-9180
Fax (847) 419-1515
E-mail: transcell@transcell.net
Web: www.transcell.net

NOTE

This equipment has been tested and found to comply with the limits for a Class A digital device, pursuant to Part 15 of the FCC Rules. These limits are designed to provide reasonable protection against harmful interference when the equipment is operated in a commercial environment. This equipment generates, uses and can radiate radio frequency energy and, if not installed and used in accordance with the instructions manual, may cause harmful interference to radio communications. Operation of this equipment in a residential area is likely to cause harmful interference in which case the user will be required to correct the interference at his/her own expense.

TABLE OF CONTENTS

| | <u>Page</u> |
|---|-------------|
| Chapter 1: Introduction To The TI-300 Series Indicator | 1-1 |
| Chapter 2: Installation | 2-1 |
| 2.1 ABS Enclosure | 2-1 |
| 2.1.1 Connecting the weigh platform..... | 2-1 |
| 2.1.2 Connecting the serial printer, remote display or computer | 2-2 |
| 2.1.3 Connecting the power supply..... | 2-2 |
| 2.2 Stainless Steel Enclosure | 2-2 |
| Chapter 3: Configuration | 3-1 |
| 3.1 Configuration Overview..... | 3-1 |
| 3.2 Setup (“F”) Menu | 3-1 |
| 3.2.1 Entering the Setup Menu – ABS Enclosure | 3-1 |
| 3.2.2 Entering the Setup Menu – Stainless Steel Enclosure | 3-1 |
| 3.2.3 Navigating in the Setup Menu | 3-1 |
| 3.2.4 Notes on the Setup Menu | 3-3 |
| 3.2.5 Exiting the Setup Menu – ABS Enclosure..... | 3-3 |
| 3.2.6 Exiting the Setup Menu – Stainless Steel Enclosure | 3-3 |
| 3.3 User (“A”) Menu..... | 3-3 |
| 3.3.1 Entering the User Menu | 3-3 |
| 3.3.2 Navigating in the User Menu..... | 3-3 |
| 3.3.3 Notes on the User Menu | 3-4 |
| 3.3.4 Exiting the User Menu..... | 3-4 |
| Chapter 4: Setup Menu Descriptions and Procedures | 4-1 |
| 4.1 Setup Menu Descriptions | 4-1 |
| Chapter 5: User Menu Descriptions and Procedures | 5-1 |
| 5.1 User Menu Descriptions..... | 5-1 |
| 5.2 User Menu Procedures | 5-2 |
| 5.2.1 ID Number Entry (A8)..... | 5-2 |
| 5.2.2 Line Feeds Entry (A9) | 5-2 |
| Chapter 6: Calibration | 6-1 |
| 6.1 Calibration Overview | 6-1 |
| 6.2 Zero Calibration (F16) | 6-1 |
| 6.3 Span Calibration (F17) | 6-1 |
| 6.4 View Calibration Values (F18)..... | 6-2 |
| 6.5 Key-in Zero Calibration Value (F19) | 6-2 |
| 6.6 Key-in Span Calibration Value (F20) | 6-3 |

| | | |
|-------------|---|-----|
| Chapter 7: | Operation..... | 7-1 |
| 7.1 | Display..... | 7-1 |
| 7.1.1 | Liquid Crystal Display (LCD)..... | 7-1 |
| 7.1.2 | Light Emitting Diode (LED) Display..... | 7-1 |
| 7.2 | Keyboard..... | 7-2 |
| 7.2.1 | Function Keys..... | 7-2 |
| 7.3 | General Scale Operation..... | 7-3 |
| 7.3.1 | Weighing an item..... | 7-3 |
| 7.3.2 | Taring an item..... | 7-3 |
| 7.3.3 | Piece Counting..... | 7-4 |
| Appendix A: | Specifications..... | A-1 |
| Appendix B: | Serial Port Information..... | B-1 |
| B.1 | Serial Port Modes..... | B-1 |
| B.1.1 | Full Duplex Mode..... | B-1 |
| B.1.1.1 | Recognized Host Commands..... | B-2 |
| B.1.2 | Print Ticket Mode..... | B-2 |
| B.1.3 | Simplex Mode..... | B-3 |
| Appendix C: | Displayed Error Codes..... | C-1 |

LIST OF FIGURES

| | | |
|------|---|-----|
| 1-1 | TI-300E Front Panel..... | 1-1 |
| 2-1 | TI-300 Series ABS Enclosure Rear Panel..... | 2-1 |
| 2-2 | Color Codes for Shielded Load Cell Cable..... | 2-1 |
| 2-3 | Pin Assignments for the Load Cell Port..... | 2-1 |
| 2-4 | Pin Assignments for the D-SUB9 serial port connector..... | 2-2 |
| 3-1 | Setup Menu Key Assignments..... | 3-2 |
| 3-2 | Setup Menu Chart..... | 3-2 |
| 3-3 | User Menu Key Assignments..... | 3-4 |
| 3-4 | User Menu Chart..... | 3-4 |
| 5-1 | User Menu Key Assignments..... | 5-2 |
| 6-1 | Setup Menu Key Assignments..... | 6-1 |
| 7-1 | TI-300 Series LCD Detail..... | 7-1 |
| 7-2 | TI-300 Series LED Display Detail..... | 7-1 |
| 7-3 | Function Keys Layout – non-battery powered units..... | 7-2 |
| 7-3a | Function Keys Layout – battery powered units..... | 7-2 |
| B-1 | Cable Diagram for Indicator to IBM PC..... | B-1 |
| B-2 | Consolidated Controls Demand Mode..... | B-1 |
| B-3 | Print Ticket..... | B-2 |
| B-4 | Cable Diagram for Indicator to Printer..... | B-2 |
| B-5 | Consolidated Controls Continuous Mode..... | B-3 |

LIST OF TABLES

| | | |
|-----|---|-----|
| 1-1 | TI-300 Series Product Matrix | 1-1 |
| 6-1 | Calibration Value Table..... | 6-2 |
| 7-1 | TI-300 Series Annunciator Definitions | 7-2 |

CHAPTER 1: INTRODUCTION TO THE TI-300 SERIES DIGITAL INDICATORS

The TI-300 Series Digital Indicator is a general purpose, industrial grade weight indicator. One model is currently available, distinguishable by display type, enclosure type and power supply. Table 1-1 shows the TI-300 Series product matrix.

All models operate identically, can readout up to 6,000 display divisions and can supply enough current for up to 4-350Ω load cells. All setup parameters may be entered via the front panel keys, including calibration.

If your Model TI-300 Series Digital Indicator is part of a complete floor scale or has been installed for you, you may skip to Chapter 7 for operating instructions. Prior to using the indicator, please read this chapter carefully and completely. Store the manual in a safe and convenient place so it will be available if you have questions concerning the operation of the scale.

If you are an installer, the indicator's installation and wiring instructions are found in Chapter 2. The indicator contains two main setup menus: The Setup ("F") menu, which configures the indicator to your weigh platform and the User ("A") menu, which configures the serial communication port and enables some user options. Chapter 3 gives an overview and explains how to use the five front panel keys to maneuver and save settings in both menus. Chapters 4 and 5 explain the Setup and User Menu options, respectively. Chapter 6 covers system calibration. Prior to installing the indicator, please read this manual carefully and completely. Store the manual in a safe and convenient place so it will be available if you have questions concerning the setup and operation of the scale.

| MODEL | DISPLAY TYPE ¹ | ENCLOSURE TYPE ² | POWER SOURCE |
|---------|---------------------------|-----------------------------|----------------------------|
| TI-300E | LED | ABS | AC adapter - 9 VDC, 500 mA |

TABLE 1-1: TI-300 Series Product Matrix

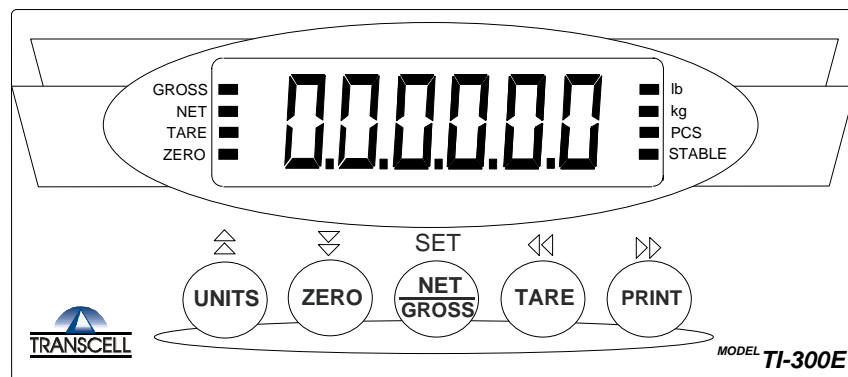


FIGURE 1-1: TI-300E Front Panel

¹ LCD stands for Liquid Crystal Display. LED stands for Light Emitting Diode.

² All ABS enclosures are NEMA 12 rated. All stainless steel enclosures are NEMA 4X rated.

CHAPTER 2: INSTALLATION

2.1 ABS ENCLOSURE

For indicators contained in the standard ABS enclosure, the rear panel contains all connectors necessary to make the appropriate connections to the weigh platform, printer, remote display and power supply.

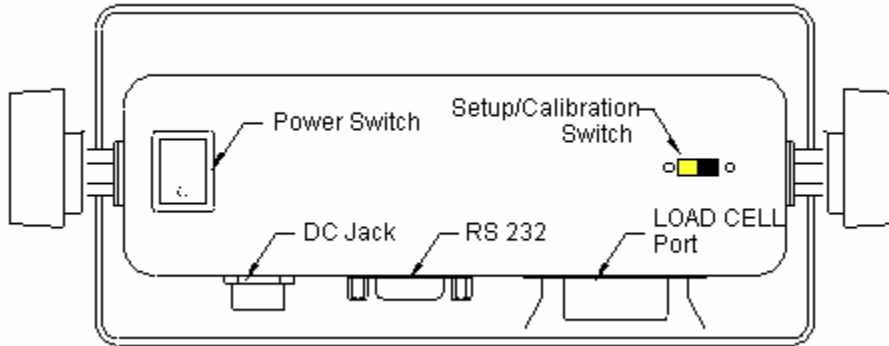


Figure 2-1: TI-300 Series ABS Enclosure Rear Panel

2.1.1 CONNECTING THE WEIGH PLATFORM

The indicators mounted in an ABS enclosure ship with a 15 ft shielded load cell cable for connection to weigh platform's load cell(s) or junction box.

1. Plug the cable's 14-pin Centronics-type connector into the load cell port on the rear panel of the indicator.
2. Wire the bare wires and shield to the weigh platform's load cell(s) or junction box using the color codes shown in Figure 2-2.

| Color | Wire Name |
|-------|--------------|
| RED | +Excitation |
| BLK | - Excitation |
| GRN | +Signal |
| WHT | - Signal |

Figure 2-2: Color Codes for Shielded Load Cell Cable

3. If you do not wish to use the shielded load cell cable, you may use own, following the pin assignments shown in Figure 2-3. (A 14-pin Male Centronics-type connector is required).

| Pin Nos. | Pin Name |
|----------|--------------|
| 1/8 | +Excitation |
| 3/10 | - Excitation |
| 5/12 | +Signal |
| 7/14 | - Signal |

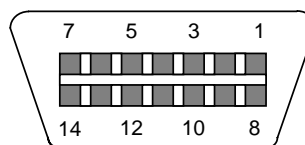


Figure 2-3: Pin assignments for the Load Cell Port

2.1.2 CONNECTING THE SERIAL PRINTER, REMOTE DISPLAY OR COMPUTER

The TI-300 Series indicator comes standard with one full duplex RS-232 serial port, designed for connection to either a PC or a serial printer. The same port may be also used as a simplex, RS-232 port designed for connection to a remote display.

Figure 2-4 shows the serial port pinout. Refer to Appendix B for some suggested cable diagrams. (A 9-pin Male D-type connector is required).

1. Plug the serial printer, remote display or computer communication cable (not included) directly into the D-SUB9 serial port connector.

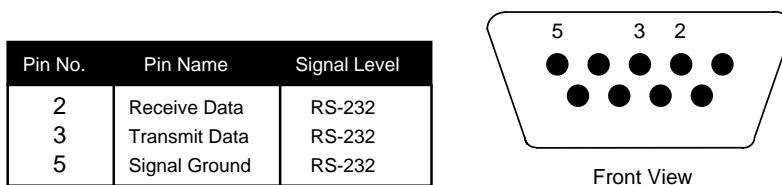


Figure 2-4: Pin assignments for the D-SUB9 serial port connector

2.1.3 CONNECTING THE POWER SUPPLY

The TI-300E indicators ship standard with an external AC adapter.

1. Simply plug the AC adapter into the indicator's DC Power Jack first, and then plug into a standard wall outlet. ***Make sure that the AC voltage appearing at the wall outlet matches the input voltage marked on the AC adapter.***

2.2 STAINLESS STEEL ENCLOSURE

This section is reserved for future use.

CHAPTER 3: CONFIGURATION

3.1 CONFIGURATION OVERVIEW

The indicator contains two main setup menus: The Setup ("F") menu, which configures the indicator to your weigh platform and the User ("A") menu, which configures the serial communication port and enables some user options. The Setup and User menus consist of several menu selections, each with its own sub-menu of choices.

To set up the indicator, you must first enter the appropriate menu mode. Once there, four of the front panel keys become directional navigators to move around in the menus, and one key is used to save or SET the selections.

3.2 SETUP ("F") MENU

3.2.1 ENTERING THE SETUP MENU – ABS ENCLOSURE

1. Power off the indicator.
2. On the rear panel move the Setup/Calibration Switch to the opposite position. See Chapter 2 for location of the Setup/Calibration Switch.
3. Power on the indicator. The indicator shows " F 1" to indicate that you are in Setup Menu mode.

Note: Access to the Setup/Calibration Switch is inhibited if the indicator has been sealed for commercial use. For more information, please refer to Chapter 8.

3.2.2 ENTERING THE SETUP MENU – STAINLESS STEEL ENCLOSURE

This section is reserved for future use.

3.2.3 NAVIGATING IN THE SETUP MENU

Use the directional keys shown in Figure 3-1 to move around in the Setup Menu Chart shown in Figure 3-2 on the following page.

1. To move to a new "F" heading, use the TARE (left) or PRINT (right) key to move right or left in the Setup Menu Chart.
2. To move to the selection level, press the ZERO (down) key once. The current saved selection is shown.
3. To view the available selections for the current "F" heading, use the TARE (left) or PRINT (right) key to move through the selection field.
4. To save a new selection, press the NET/GROSS (Set) key. To exit without saving, press the UNITS (up) key to return to the current "F" heading.
5. Repeat Steps 1 through 4 until the Setup Menu is programmed.

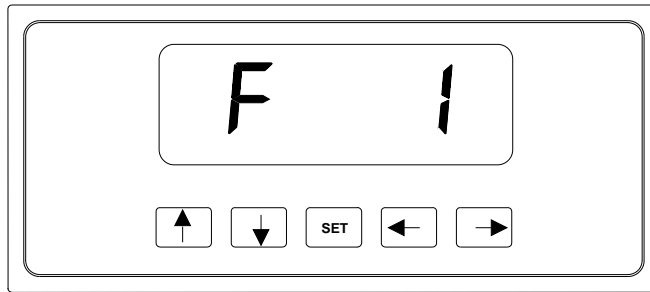


Figure 3-1: Setup Menu Key Assignments

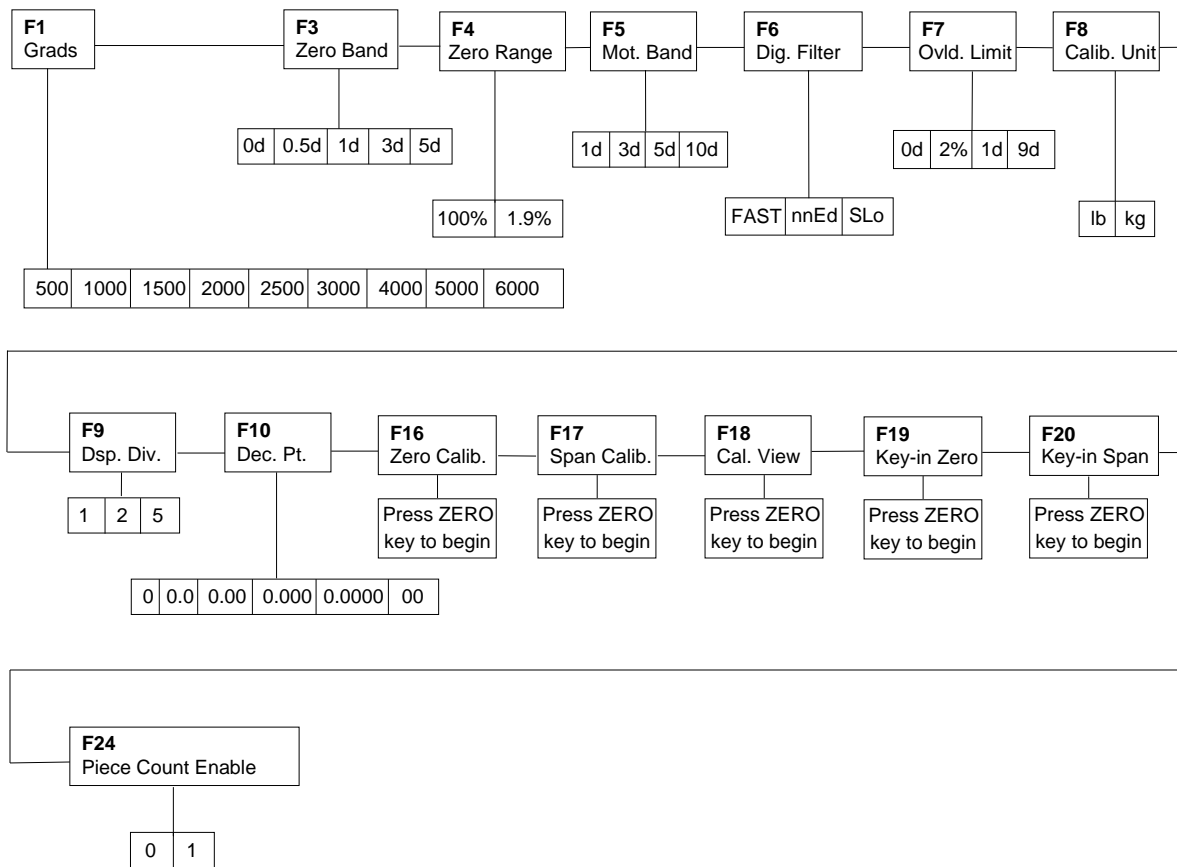


Figure 3-2: Setup Menu Chart

3.2.4 NOTES ON THE SETUP MENU

1. There is an **F21** sub-menu present that is for **FACTORY USE ONLY!**
2. Detailed descriptions of the setup menu parameters can be found in Chapter 4 of this manual.
3. The User (“A”) menu sub-menus appear when scrolling left or right from the “F” menu.
4. Some selections shown are not available on all models in the series. Likewise, additional selections may be available on other models in the series. See Chapter 4 for more information.

3.2.5 EXITING THE SETUP MENU – ABS ENCLOSURE

1. Power off the indicator.
2. On the rear panel, move the Setup/Calibration Switch back to its original position.
3. Power on the indicator. The display will go through a digit check, then settle into Normal Operating mode. All front panel keys will now return to their normal mode of operation.

3.2.6 EXITING THE SETUP MENU – STAINLESS STEEL ENCLOSURE

This section is reserved for future use.

3.3 USER (“A”) MENU

3.3.1 ENTERING THE USER MENU

1. Enter the Setup (“F”) menu by following the directions in Section 3.2.1 or 3.2.2.
2. Use the right or left directional keys shown in Figure 3-3 to move right or left in the Setup (“F”) menu until the indicator shows “A 1”.

3.3.2 NAVIGATING IN THE USER MENU

Use the directional keys shown in Figure 3-3 to move around in the User Menu Chart shown in Figure 3-4 on the following page.

1. To move to a new “A” heading, use the TARE (left) or PRINT (right) key to move right or left in the User Menu Chart.
2. To move to the selection level, press the ZERO (down) key once. The current saved selection is shown.
3. To view the available selections for the current “A” heading, use the TARE (left) or PRINT (right) key to move through the selection field.
4. To save a new selection, press the NET/GROSS (Set) key. To exit without saving, press the UNITS (up) key to return to the current “A” heading.
5. Repeat Steps 2 through 5 until the User Menu is programmed.

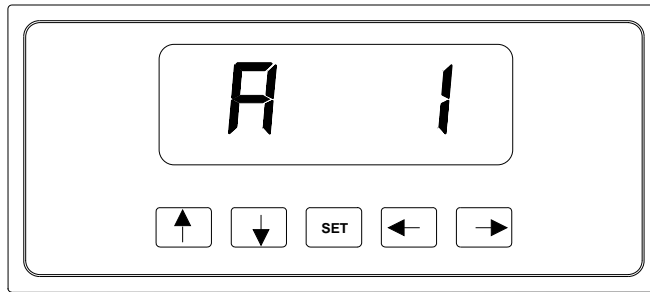


Figure 3-3: User Menu Key Assignments

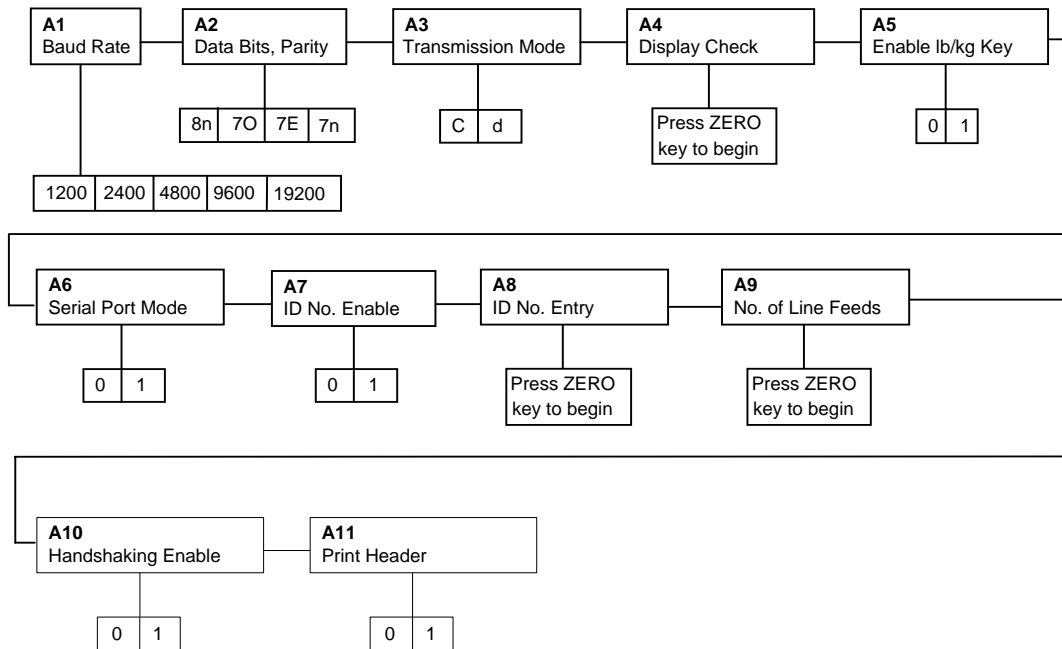


Figure 3-4: User Menu Chart

3.3.3 NOTES ON THE USER MENU

1. Detailed descriptions of the user menu parameters can be found in Chapter 5 of this manual.
2. Some selections shown are not available on all models in the series. Likewise, additional selections may be available on other models in the series. See Chapter 5 for more information.

3.3.4 EXITING THE USER MENU

1. Exit the User (“A”) menu by following the directions in Section 3.2.5 or 3.2.6. The display will go through a digit check, then settle into Normal Operating mode. All front panel keys will now return to their normal mode of operation.

CHAPTER 4: SETUP MENU DESCRIPTIONS AND PROCEDURES

4.1 SETUP MENU DESCRIPTIONS

This section provides more detailed descriptions of the selections found in the Setup Menu Chart. Factory-set defaults are shown in bold with a checkmark (✓).

Table 4-1 shows the selections that are not allowed for “Legal-for-Trade” applications:

| NAME/CODE | DESCRIPTION | CODE/VALUE |
|--------------------------------|---|--|
| F1 Graduations | Specifies number of full-scale graduations. Value should be consistent with legal requirements and environmental limits on the useful system resolution. | 500 1,000 1,500 2,000 2,500 3,000 4,000 5,000 ✓ 6,000 |
| F3 Zero Track Band | Selects the range within which the scale will automatically zero. Note that the scale must be in standstill to automatically zero. Selections are in Display Divisions. | 0d 0.5d ✓ 1d 3d 5d |
| F4 Zero Range | Selects the range within which the scale may be zeroed. Note that the indicator must be in standstill to zero the scale. | 100% ✓ 1.9% |
| F5 Motion Band | Sets the level at which motion is detected by comparing the present display update with the previous one. If motion is not detected for two seconds or more, scale is in standstill and can process a Print or Zero command. Maximum value varies depending on local regulations. | 1d ✓ 3d 5d 10d |
| F6 Digital Filter | Averages weight readings to produce higher stability. Choose the speed that works best for your application. “FAST” = Fast “nnEd” = Medium “SLo” = Slow | FAST nnEd ✓ SLo |
| F7 Overload Limit | Selects the desired formula which determines the point at which the indicator shows overload. All selections are based on the primary unit selected in F8. "FS" = Full scale in primary units. | FS FS + 2% ✓ FS + 1d FS + 9d |
| F8 Calib. Unit | Selects the primary base unit to be used in the calibration process. Also the default unit for normal operation. "1" = primary unit is lb. "2" = primary unit is in kg. | 1 ✓ 2 |
| F9 Display Divisions | Determines the desired weight increments. Value should be consistent with legal requirements. | 1 ✓ 2 5 |
| F10 Decimal Pt. | Determines location of the decimal point. | 0 ✓ 0.0 0.00 0.000 0.0000 00 |

| | | |
|----------------------------------|---|---|
| F16 Zero Calibration | Places indicator into the zero calibration routine. Scrolling down with the ZERO key one level begins the procedure. | Press ZERO key to begin sequence |
| F17 Span Calibration | Places indicator into the span calibration routine. Scrolling down with the ZERO key one level begins the procedure. | Press ZERO key to begin sequence |
| F18 View Calibration | Actuates the function that allows you to view both the zero and span calibration value. The values displayed in this function are valid only after Calibration (F16 & F17) has been successfully completed. Scrolling down with the ZERO key one level begins the procedure. | Press ZERO key to begin sequence |
| F19 Key-in Zero | Allows you to key-in known zero calibration value in case of memory loss in the field. Scrolling down with the ZERO key one level begins the procedure. | Press ZERO key to begin sequence |
| F20 Key-in Span | Allows you to key-in a known span calibration value in case of memory loss in the field. Scrolling down with the ZERO key one level begins the procedure. | Press ZERO key to begin sequence |
| F21 Factory Reset | This sub-menu will reset all parameters in the "F" and "A" menu to the default settings. USE WITH CAUTION! | Press the ZERO key twice to execute. |
| F24 Piece Count Enable | Used to enable or disable the piece count feature. This feature must be disabled for commercial applications. "0" = Disable piece count "1" = Enable piece count | 0√ 1 |

CHAPTER 5: USER MENU DESCRIPTIONS AND PROCEDURES

5.1 USER MENU DESCRIPTIONS

This section provides more detailed descriptions of the selections found in the User Menu Chart. Factory-set defaults are shown in bold with a checkmark (✓).

| NAME/CODE | DESCRIPTION | CODE/VALUE |
|--|--|---|
| A1 Baud Rate | Selects the baud rate for data transmission through the serial port. | 1200 2400 4800 9600 ✓ 19200 |
| A2 Data Bits and Parity | Selects the number of data bits and parity of serial transmission. "8n" = 8 data bits with no parity bit and one stop bit "7O" = 7 data bits with odd parity bit and one stop bit "7E" = 7 data bits with even parity bit and one stop bit "7n" = 7 data bits with no parity bit and two stop bits | 8n ✓ 7O 7E 7n |
| A3 Mode of Serial Transmission | Selects when data will be sent out of the serial port to a printer or computer: "C" = Continuous mode; send data continuously "d" = Demand mode; send data when a PRINT command is issued from the printer, computer, or indicator. | C d ✓ |
| A4 Display Check | Actuates the function that illuminates all digit segments, decimal points, and LCD annunciators in a test sequence. Pressing the ZERO key to scroll down one level begins the test sequence. | Press ZERO key to begin sequence |
| A5 Disable the lb/kg Key | Allows the lb/kg key to be disabled so that an operator cannot accidentally press the key and change the displayed units. "0" = Disable the lb/kg key "1" = Enable the lb/kg key | 0 1 ✓ |
| A6 Serial Port Mode | Selects the mode of the RS-232 serial port: Refer to Appendix B for more information. "0" = Full Duplex Mode "1" = Print Ticket Mode | 0 1 ✓ |
| A7 ID No. Enable | Allows the ID number to be disabled in the Print Ticket mode. Valid only when A6 is set to "1". "0" = Disable the ID No. "1" = Enable the ID No. | 0 ✓ 1 |
| A8 ID No. Entry | Actuates the function that allows entry of a new ID No. Valid only when A6 is set to "1". Pressing the ZERO key to scroll down one level begins the sequence. | 0 – 999999 123456 ✓ |
| A9 No. of Line Feeds | Actuates the function that allows entry of the desired number of line feeds to be printed in Print Ticket Mode. Valid only when A6 is set to "1". Pressing the ZERO key to scroll down one level begins the sequence. | 0 - 99 8 ✓ |

| NAME/CODE | DESCRIPTION | CODE/VALUE |
|-------------------------------------|---|------------|
| A10 Handshaking Enable | Enables hardware handshaking for Print Ticket Mode. Valid only when A6 is set to "1". "0" = Disable Handshaking "1" = Enable Handshaking | 0√ 1 |
| A11 Print Header | Tells MP-20 printer to print the header information. Valid only when A6 is set to "1". "0" = Do NOT Print Header "1" = Print Header | 0√ 1 |

5.2 USER MENU PROCEDURES

This section provides instructions for all of the User Menu procedures.

5.2.1 ID Number Entry (A8)

1. While in the User Menu mode, scroll to "**A 8**", then scroll down once using the ZERO key to enter the ID Number menu.
2. The display will momentarily show "**ID NO**", followed by a value with one flashing digit. This value will be the current ID number value.
3. Use the four directional keys (shown in Figure 5-1 below) to adjust the displayed value to the actual ID Number value. Increase the flashing digit by pressing the UNITS key. Decrease the flashing digit by pressing the ZERO key. Pressing the PRINT key or the TARE key will change the position of the flashing digit.

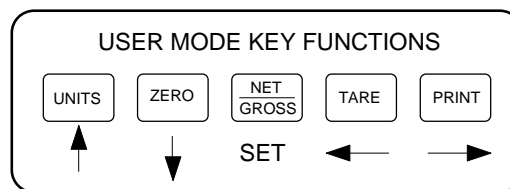


Figure 5-1: User Menu Key Assignments

4. After setting the exact value, press the NET/GROSS key to save the ID Number value. The display will show "**SET**" momentarily, then revert back up to A8.

5.2.2 LF (Line Feeds) Number Entry (A9)

1. While in the User Menu mode, scroll to "**A 9**", then scroll down once using the ZERO key to enter the Line Feeds menu.
2. The display will momentarily show "**LF**", followed by the current line feeds value.
3. Use the four directional keys (shown in Figure 5-1 above) to adjust the displayed value to the actual line feeds value. Increase the flashing digit by pressing the UNITS key. Decrease the flashing digit by pressing the ZERO key. Pressing the PRINT key or the TARE key will change the position of the flashing digit.
4. After setting the exact value, press the NET/GROSS key to save the line feeds value. The display will show "**SET**" momentarily, then revert back up to A9.

CHAPTER 6: CALIBRATION

6.1 CALIBRATION OVERVIEW

The indicator is calibrated by following the procedures embedded in F16 (Zero) and F17 (Span) of the Setup Menu. Each procedure enters a value into the indicator's non-volatile memory - F16 the zero value (deadweight) and F17 the span value (test weight). The minimum test weight that can be used is 1% of full-scale capacity. After the two calibration procedures are executed successfully, you should record both calibration values in Table 6-1 using the F18 View procedure.

In the unlikely event that either value is lost while in the field, the setup menu makes provisions for re-entering these values via F19 and F20, thus eliminating the need for re-calibration with test weights.

NOTE: This chapter assumes that the indicator is in Setup ("F") Menu mode. If the indicator is not in Setup Menu mode, refer to Chapter 3 for instructions.

6.2 ZERO CALIBRATION (F16)

1. While in the Setup mode, scroll to "F 16", then scroll down once using the ZERO key to enter zero calibration menu. The display will momentarily show "C 0" followed by a value. This value is the internal A/D count and can prove useful when trying to troubleshoot setup problems.
2. After making sure that there are no test weights on the platform, press the ZERO key again to zero out the displayed value.
3. Press the NET/GROSS key to save the zero point value. The display will show "EndC0" momentarily, then revert back up to F16. At this time, proceed to the F17 span calibration to complete indicator calibration.

6.3 SPAN CALIBRATION (F17)

1. While in the Setup mode, scroll to "F 17", then scroll down once using the ZERO key to enter span calibration menu.
2. The display will momentarily show "C 1" for the span calibration, followed by a value with one flashing digit. This value will be zero with the Decimal Point parameter selected in F10. Place the test weight on the weighing mechanism.
3. Use the four directional keys (shown in Figure 6-1 below) to adjust the displayed value to the actual test weight value. Increase the flashing digit by pressing the UNITS key. Decrease the flashing digit by pressing the ZERO key. Pressing the PRINT key or the TARE key will change the position of the flashing digit.

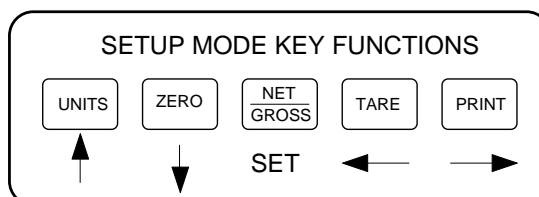


Figure 6-1: Setup Menu Key Assignments

4. After setting the exact value, press the NET/GROSS key to save the value.
5. If the calibration was successful, the display will show "EndC1" momentarily, then revert back up to F17. At this time it is suggested that the calibration values be recorded for future use (see Section 6.4).
6. If the calibration was *not* successful, one of the error messages below will appear. Take the indicated action to correct the problem, then perform a new calibration.
 - "Err0" - The calibration test weight or the adjusted keyed-in weight is larger than the full capacity of the scale. Change the calibration test weight or check the input data.
 - "Err1" - The calibration test weight or the adjusted keyed-in weight is smaller than 1% of the full capacity of the scale. Change the calibration test weight or check the input data.
 - "Err2" - The internal resolution of the scale is not high enough to accept the calibration value. Select a larger parameter for the Span Gain (F2). SEE APPENDIX C FOR MORE INFORMATION.

6.4 VIEW CALIBRATION VALUES (F18)

Note: The values displayed in this procedure are valid only after a successful calibration has been performed using F16 and F17.

1. While in the Setup mode, scroll to "F 18", then scroll down once using the ZERO key to enter View calibration menu.
2. The display will momentarily show "CAL 0" followed by a value. This value is the **zero calibration value** and should be recorded in the table below. Press any key to continue.
3. The display will momentarily show "CAL 1" followed by another value. This value is the **span calibration value** and should also be recorded in the table below. Press any key to return to upper level (F18).

| INDICATOR | ZERO CALIBRATION VALUE | SPAN CALIBRATION VALUE |
|-----------|------------------------|------------------------|
| S/N: | | |

Table 6-1: Calibration Value Table

6.5 KEY-IN ZERO CALIBRATION VALUE (F19)

Note: This procedure is intended for emergency use only in the case of non-volatile memory loss. A valid zero calibration value, obtained from a successful F16 calibration procedure, must be used.

1. While in the Setup mode, scroll to "F 19", then scroll down once using the ZERO key.
2. The display will momentarily show "CAL 0", followed by a flashing zero. Use the four directional keys (shown in Figure 6-1) to adjust the displayed value to the zero calibration value.
3. After setting the exact value, press the NET/GROSS key to save the value.
4. The display will show "E CAL 0" momentarily, then revert back up to F19.

6.6 KEY-IN SPAN CALIBRATION VALUE (F20)

Note: This procedure is intended for emergency use only in the case of non-volatile memory loss. A valid span calibration value, obtained from a successful F17 calibration procedure, must be used.

1. While in the Setup mode, scroll to "**F 20**", then scroll down once using the ZERO key.
2. The display will momentarily show "**CAL 1**", followed by a flashing zero. Use the four directional keys (shown in Figure 6-1) to adjust the displayed value to the span calibration value.
3. After setting the exact value, press the NET/GROSS key to save the value.
4. If the entered value is greater than zero, the display will show "**E CAL 1**" momentarily, then revert back up to F20. If a value of zero is entered, the indicator will briefly show "**Err 5**", then revert back to the screen described above in Step # 2.

CHAPTER 7: OPERATION

7.1 DISPLAY

As mentioned in Chapter 1, some models utilize a 6 digit LCD (Liquid Crystal Display) while others utilize a 6-digit LED (Light Emitting Diode) display. Typically, LCD's are used for outdoor applications while LED's are used indoors where brightness is needed. Table 7-1 summarizes both types of display annunciators.

7.1.1 LIQUID CRYSTAL DISPLAY (LCD)

Figure 7-1 shows the display detail of the LCD indicators.

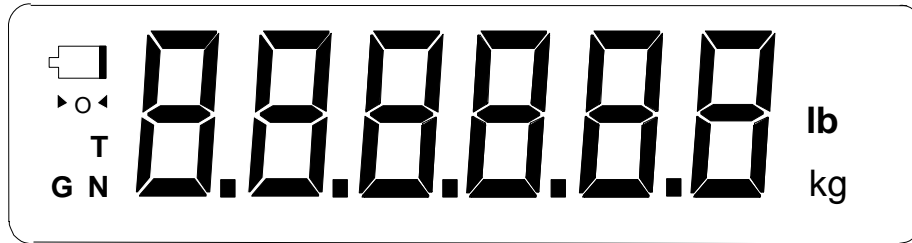


FIGURE 7-1: TI-300 Series LCD Detail

7.1.2 LIGHT EMITTING DIODE (LED) DISPLAY

Figure 7-2 shows the display detail of the LED display indicators.

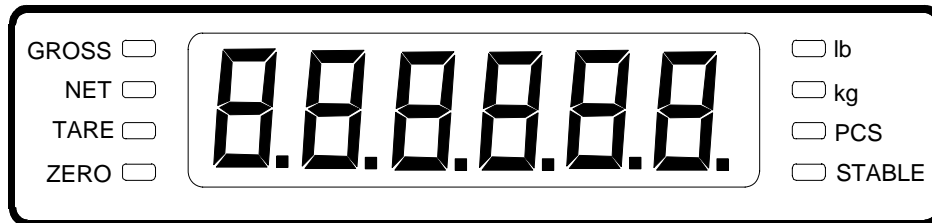


FIGURE 7-2: TI-300 Series LED Display Detail


| LCD Annunciator | LED Annunciator | MEANING |
|---|-----------------|---|
| →0← | ZERO | Better known as the “Center of Zero” annunciator, this light is active whenever the displayed weight is within ± 0.25 divisions of true zero. |
| N | NET | Indicates that the indicator is displaying net weight. |
| G | GROSS | Indicates that the indicator is displaying gross weight. |
| T | TARE | Indicates that a tare weight has been established in the system. |
| lb, kg | lb, kg, PCS | Indicates the unit of the displayed weight. PCS stands for “pieces”. |
|  | STABLE | This light is on whenever the scale is stable. |

TABLE 7-1: TI-300 Series Annunciator Definitions

7.2 KEYBOARD

The keyboard is composed of five function keys. Refer to Figures 7-3 and 7-3a for the overall layout and key locations.



FIGURE 7-3: Function Keys Layout – non-battery powered units



FIGURE 7-3a: Function Keys Layout – battery powered units

7.2.1 FUNCTION KEYS

Units – This key toggles the indicator among the available weight units if enabled in the User (“A”) menu. Available weight units include lb, kg and pieces. See Chapter 5 for more information.

Zero - This key sets the indicator to display zero provided the following conditions are met:

1. The indicator is displaying Gross weight.
2. The displayed weight is within the zero reset range that is programmed in F4 of the Setup ("F") Menu.
3. The scale is not in motion.
4. The scale is not in overload (see Appendix D for error codes).

Zero/Off – Same as ZERO key except when held for five seconds, shuts the unit off (battery powered indicators only).

Net/Gross - This key toggles the indicator between Gross weight and Net weight only if a Tare has been established.

Tare - This key is used to establish a Tare provided the following conditions are met:

1. The indicator is not at or below Gross zero.
2. The scale is not in motion.
3. The scale is not in overload (see Appendix D for error codes).

Print - This key is used to send weight information out to the serial port provided the following conditions are met:

1. The scale is not in motion.
2. The scale is not in overload (see Appendix D for error codes).

ON/Print – Same as PRINT key except when the unit is off, turns the unit on (battery powered indicators only).

7.3 GENERAL SCALE OPERATION

7.3.1 WEIGHING AN ITEM

1. Select the desired weighing unit by pressing the lb/kg key until that unit is indicated on the display.
2. If necessary, press the ZERO key to obtain a weight reading of zero.
3. Place the object to be weighed on the scale's platter and allow the weight indication to stabilize. If the item weight exceeds the scale's weight capacity, it displays " ".
4. Read the weight shown on the display.

7.3.2 TARING AN ITEM

To weigh an item in a container, the weight of that container must first be subtracted from the overall weight to obtain an accurate weight reading. This is known as taring.

1. Select the desired weighing unit by pressing the UNITS key until that unit is indicated on the display.
2. If necessary, press the ZERO key to obtain a weight reading of zero.
3. Place the empty container on the scale's platter and allow the weight indication to stabilize.
4. Press the TARE key. The display shows zero weight and turns the NET annunciator on.
5. Place the material to be weighed in the container and allow the weight indication to stabilize.
6. Read the weight shown on the display.
7. You may toggle between the gross weight and the net weight by pressing the NET/GROSS key.

7.3.3 PIECE COUNTING

This mode is used to indicate the number of pieces of an item you have placed on the scale's platform and is accessed by pressing the UNITS key. To ensure accuracy, the parts you are counting must be consistent in weight.

The indicator uses the sampling method to determine the average piece weight (APW) of the items you wish to count. When sampling items, always count the parts in your hand and place them on the platform all at once. If the APW of the items is too light or the total weight of the sample is too light, accuracy cannot be guaranteed. You will get an error message, but piece counting will still be allowed.

1. If the items you will be counting require a container, you must first tare the container off by pressing the TARE key.

NOTE: The TARE key is inoperative when in sampling mode.

2. Press the UNITS key until "5 0" is indicated on the display. If the screen does not show "5 0", press the ZERO key once. The indicator is prompting you to place five identical items on the platform.

NOTE: If you wish to change the sample number, simply press the UNITS key repeatedly until the desired sample number appears. Available choices are 5, 10, 20, 50 and 100. If you continue to push the UNITS key, the indicator will resort back to weighing mode and you must start again from Step 2.

3. Place the sample items on the platform all at once and allow the weight indication to stabilize. Once this is done, the zero indicated after the sample number will change to a "-". For example, "5 -".
4. Press the NET/GROSS key to take the sample. If the sample size is large enough, the indicator now displays the number of pieces on the platform and the "PCS" annunciator is lit. If not, the indicator briefly displays "Lo" and automatically increments the sample size. Repeat Step #4 with the new sample size.

NOTE: If the indicator continues to display "Lo" even after sampling 100 pieces, the unit weight of the items you wish to count is too light for your scale to process accurately.

5. To exit the piece count mode, press the UNITS key.

NOTE: The APW will NOT remain in scale memory when you exit piece counting mode.

APPENDIX A: SPECIFICATIONS

ANALOG SPECIFICATIONS

| | |
|-------------------------|--|
| Full Scale Input Signal | +/- 3.125 mV/V |
| Minimum Sensitivity | 0.8 μ V / grad |
| Input Impedance | 30M Ω , typical |
| Internal Resolution | Approximately 200,000 counts at 3 mV/V input |
| Display Resolution | 6,000 display division max |
| Measurement Rate | 15 Meas/sec, nominal |
| System Linearity | Within 0.02% of FS |
| Calibration Method | Software Calibration, with long term storage in EEPROM |
| Excitation Voltage | +5 VDC, 4 x 350 Ω load cells |

DIGITAL SPECIFICATIONS

| | |
|------------------|------------------------------|
| Microcontrollers | Winbond W78E58 |
| Program Memory | 32K x 8, internal to μ C |
| SRAM: | 512 x 8, internal to μ C |
| EEPROM: | 128 x 8, external to μ C |

Digital Filtering Software selectable

SERIAL COMMUNICATIONS

| | |
|-------------|---|
| Serial Port | Full Duplex, 1200, 2400, 4800, 9600, 19200 Baud |
| | 8 data bits, no parity, 1 stop bit |
| | 7 data bits, odd parity, 1 stop bit |
| | 7 data bits, even parity, 1 stop bit |
| | 7 data bits, no parity, 2 stop bits |

OPERATOR INTERFACE

| | |
|--------------------------|---|
| Display – LED Indicators | 0.56" (14 mm) 7-segment, LED, 6 Digit |
| Display – LCD Indicators | 0.8" (20 mm) 7-segment, Liquid Crystal, 6 Digit |
| Additional Symbols | Net, Gross, Stable, Tare, lb, kg, Zero, PCS |
| Keyboard | 5-key flat membrane panel |

POWER

| | |
|----------------------|-------------------------------------|
| AC Adapter | 9 VDC, 500mA Female |
| DC Power Consumption | 200mA + 15mA/350 Ω Load Cell |

ENVIRONMENTAL

| | |
|-----------------------|----------------|
| Operating Temperature | -10° to +40° C |
| Storage Temperature | -25° to +70° C |

MECHANICAL

| | |
|--------------------------------|---|
| Overall Dimensions (L x W x H) | 8.5" x 3.0" x 4.6" (215mm x 75mm x 117mm) |
|--------------------------------|---|

APPENDIX B: SERIAL PORT INFORMATION

B.1 SERIAL PORT MODES

B.1.1 FULL DUPLEX MODE

The Full Duplex Mode provides a Demand serial transmission mode and is selected by setting A3 to "d" and A6 to "0". The Demand mode allows control from a host device, usually a PC, and can be activated by pressing the PRINT key on the indicator's front panel. Figure B-1 shows a suggested cable diagram for interface to a PC. Figure B-2 shows the serial data format for the Demand Mode.

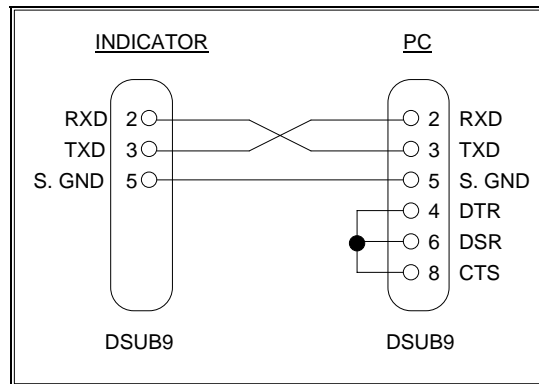


FIGURE B-1. Cable Diagram for Indicator to IBM PC

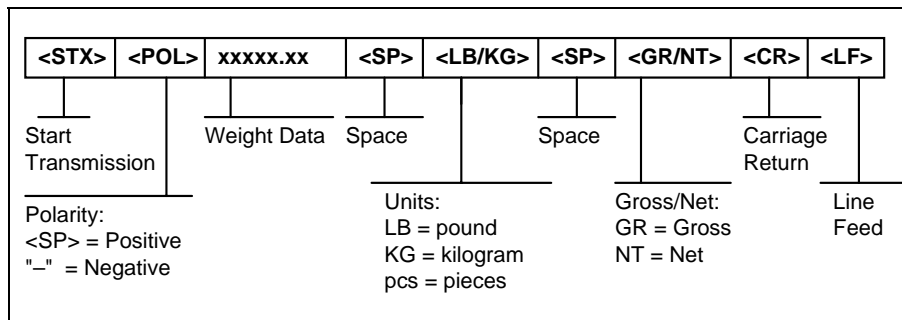


FIGURE B-2. Consolidated Controls Demand Mode

B.1.3 SIMPLEX MODE

The Simplex Mode provides a continuous serial transmission mode and is selected by setting A3 to "C" and A6 to "0". The Continuous mode is used to interface to computers, scoreboards, and other remote devices requiring constant data updating. The transmission occurs at the end of each display update. Figure B-5 shows the serial data format for Continuous Mode.

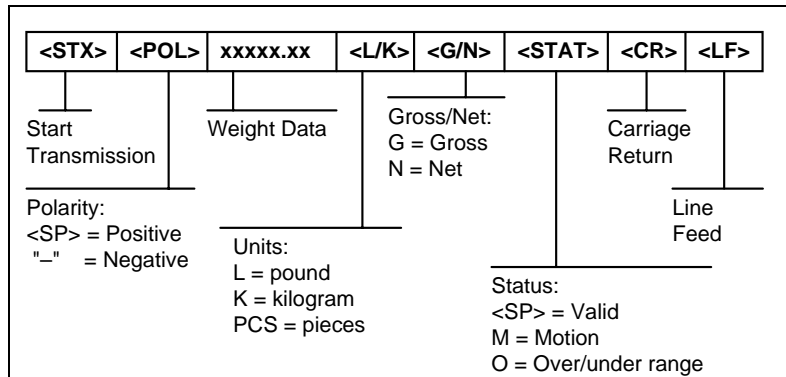

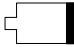


FIGURE B-5. Consolidated Controls Continuous Mode

APPENDIX C: DISPLAYED ERROR CODES

| CODE | MODE | MEANING / POSSIBLE SOLUTION |
|---|------------------------------------|--|
|  | Normal Operating Mode | Gross Overload. A weight greater than the rated capacity has been applied to the scale. Remove the weight from the platter or try re-calibrating the scale. Otherwise, check for a bad load cell connection or possible load cell damage due to overloading. |
| Err 0 | Span Calibration Mode (F17) | Keyed-in weight value is larger than full-scale capacity. Use a smaller test weight or check keyed-in value. |
| Err 1 | Span Calibration Mode (F17) | Keyed-in weight value is less than 1% of full-scale capacity. Use a larger test weight or check keyed-in value. |
| Err 2 | Span Calibration Mode (F17) | There is not enough load cell signal to produce the internal counts necessary to properly calibrate the scale. First check all load connections. Use F16 mode to view internal counts. See Appendix C for more information. |
| Err 3 | All Modes | Non-volatile memory read error. One or more setup parameters have been lost. |
| Err 4 | All Modes | Non-volatile memory write error. Indicator needs service. |
| Err 5 | Key-in Span Calibration Mode (F20) | You have attempted to enter a zero value for C1. Enter a known calibration value greater than zero. |
| Err 9 | Normal Operating Mode | Span calibration value has been lost. Re-calibrate the scale. |
|  | Normal Operating Mode | Indicates that the battery voltage is too low for normal operation. For alkaline battery units, replace the batteries. For rechargeable battery units, re-charge the battery. |
| Flashes "bAtt" | Normal Operating Mode | Indicates that the battery voltage is too low for normal operation. For alkaline battery units, replace the batteries. For rechargeable battery units, re-charge the battery. |