

WHPT-NTEP

Portable Scales



The WHPT-NTEP is a rugged legal-for-trade pallet truck scale designed for everyday use in tough industrial environments. NTEP users can set the capacity at 5000 lb x 2 lb or 3000 lb x 1 lb. The easy to read 0.7" high LCD backlit display is powered by a rechargeable battery that fits into a slide-in holder allowing for quick replacement times. The external charging cradle refreshes a second (optional) battery in 6 hours. Typical use times are 35 hours per charge but may vary if the optional thermal tape printer is used. An auto shut off function is included to extend duty cycles by conserving battery life. The WHPT-LEGAL offers high value and a fast return on investment.



TRANSCCELL TECHNOLOGY, INC.

WHPT-NTEP

Specifications:

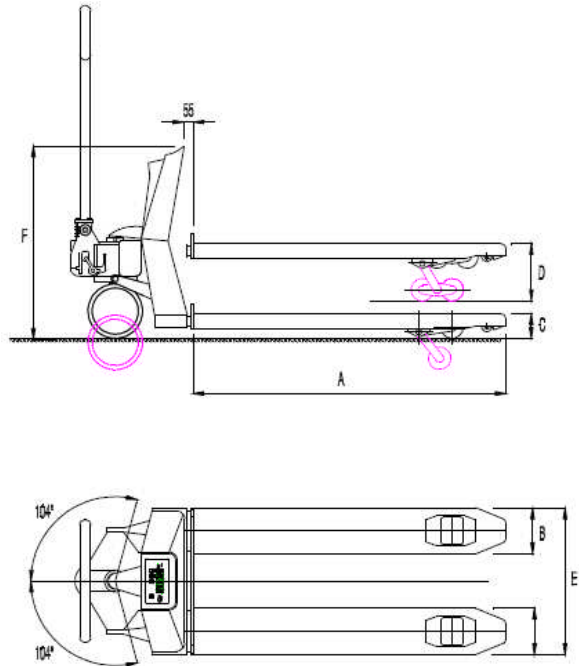
General		Dimensions		Power	
NTEP COC	06-004	A - Fork length	48"	Power source (std.)	12 VDC Battery Pack
Capacity:	5000 lbs x 2 lb 3000 lb x 1 lb	B - Fork Width	6.7"	Battery	12 V, 1.2 Amp Hr
Net weight	28l lbs	C - Min fork height	3"	Charging source	AC charger and cradle
Display	0.7" high LCD with Backlight	D - Max fork height	8"	Charger	12 VDC - 300 mA
Display Enclosure	NEMA 4 / Ip65	E - Overall width	27"	Battery life	35 hours - approximate
Units	LB/KG	F - Height to Indicator	29"	Recharge time	Approximately six hours

The WHPT-NTEP ... The best buy in the business

Standard Features

- NTEP approved 5000 lb x 2 lb or 3000 lb x 1 lb
- Level switch for NTEP applications
- Indicator functions: zero, gross/net, total, tare
- Indicator enclosure NEMA 4/IP65
- Automatic and manual TARE reset
- Auto shut off to extend duty cycle
- Low battery warning
- Single or multi point calibration
- Total weight accumulation with sequence number
- Print Format: ID no., Gross, Tare, Net, Time, Date
- LB/KG conversion
- Polyurethane wheels
- Internal clock for time and date
- 1 year warranty

Dimensions



Options and Accessories

- Extra rechargeable battery
- RS-232 output for connection to printer
- Internal thermal printer
- Stainless steel forkshoes
- Footbrake to hold scale in place