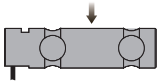


## Double Ended Shear Beam



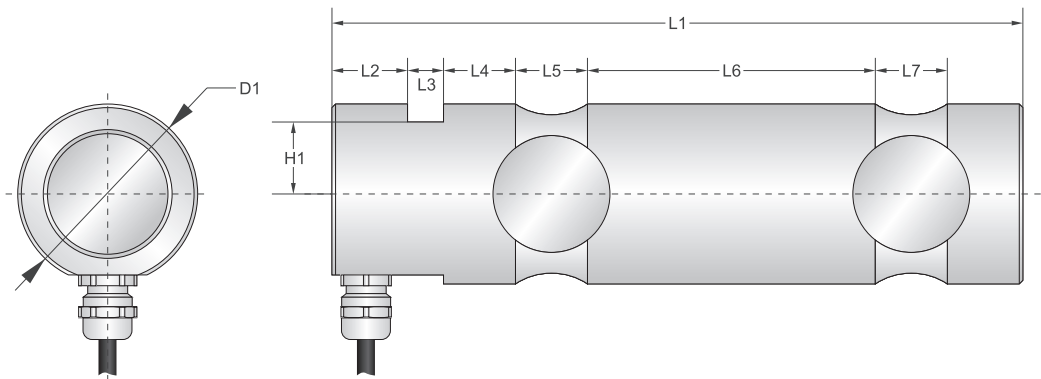
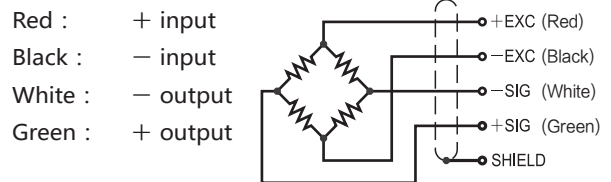
### Capacities

5t, 10t

### Features

- Double ended shear beam load cell
- Nickel-plated alloy steel construction
- High accuracy
- High stability
- High protection class
- Easy to install
- Use in tough industrial environment
- Suitable for all kinds of safety limiters

### Schematic



| 量程/Capacities |    | L1  | L2 | L3 | L4 | L5 | L6 | L7 | H1 | D1  |
|---------------|----|-----|----|----|----|----|----|----|----|-----|
| 5t/10t        | mm | 192 | 21 | 10 | 20 | 20 | 80 | 20 | 20 | Ø50 |

| Specifications         |   |                       |                      |
|------------------------|---|-----------------------|----------------------|
| Rated Output           | 1.0mV/V±1%                                | Safe Temp. Range      | -10°C to + 70°C      |
| Zero Balance           | ±1% of rated output                       | Temp. Compensated     | -10°C to + 40°C      |
| Creep after 30 minutes | ±0.2% of rated output                     | Safe Overload         | 150%                 |
| Nonlinearity           | ±0.5% of rated output                     | Ultimate Overload     | 200%                 |
| Hysteresis             | ±0.5% of rated output                     | Input Impedance       | 775 ohm ± 20 ohm     |
| Repeatability          | ±0.5% of rated output                     | Output Impedance      | 700 ohm ± 5 ohm      |
| Temp. effect on output | ≤0.02% of applied output /°C              | Insulation Resistance | ≥5000 M ohm (50V DC) |
| Temp. effect on zero   | ≤0.02% of rated output /°C                | Rated Excitation      | 10V DC/AC            |
| Wire Length            | 6m  | Maximum Excitation    | 15V DC/AC            |
| Wire Material          | Red(+ E) Black(- E) White(- S) Green(+ S) |                       |                      |