

# Oil Press

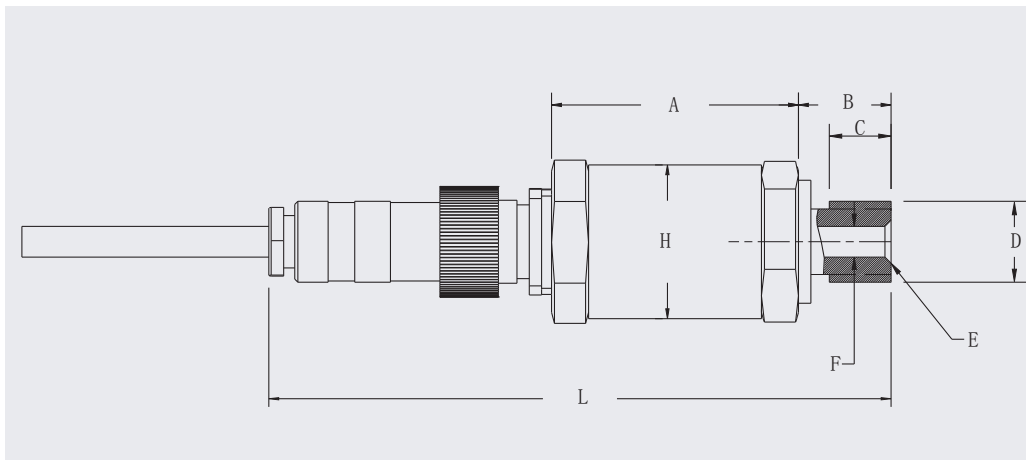


## Features 特点

- Special Load Cell
- Senior Alloy Steel
- Easy to Install
- Stable & Reliable
- 特殊形式传感器
- 优质合金钢材质
- 安装简便、快速
- 稳定可靠

## Capacities 量程

500bar



## Dimensions 尺寸

Capacity/ 量程		A	B	C	D	E	F	H	L
500bar	mm	40	15	10	1/4"	1x45°	Φ5.00	Φ25.00	100

## Specification 技术参数

Rated Output/额定输出	2.0mV/V $\pm$ 10%
Zero Balance/零点平衡	$\pm$ 9% of rated output
Creep after 30 minutes/蠕变	$\pm$ 0.2% of rated output
Nonlinearity/非线性	$\pm$ 0.2% of rated output
Hysteresis/滞后	$\pm$ 0.2% of rated output
Repeatability/重复性	$\pm$ 0.2% of rated output
Temp. effect on output/灵敏度温漂	$\leq$ 0.01% of applied output/ $^{\circ}$ C
Temp. effect on zero/零点温漂	$\leq$ 0.02% of rated output/ $^{\circ}$ C
Safe Temp. Range/可用温度范围	-10 $^{\circ}$ C to +70 $^{\circ}$ C
Temp. Compensated/温度补偿范围	-10 $^{\circ}$ C to + 50 $^{\circ}$ C
Safe Overload/安全载荷	150%
Input Impedance/输入阻抗	1100 ohm $\pm$ 200 ohm
Output Impedance/输出阻抗	1000 ohm $\pm$ 100 ohm
Insulation Resistance/绝缘阻抗	$\geq$ 5000 M ohm (50V DC)
Rated Excitation/推荐激励电压	10V DC/AC
Maximum Excitation/最大激励电压	15V DC/AC
Cable Length/导线长度	400cm
Cable Color Code/导线颜色	Red(+E) Black(-E) Green(+S) White(-S)

## Schematic 接线方式

Red: + input  
 Black: - input  
 Green: + output  
 White: - output

红色: + 激励  
 黑色: - 激励  
 绿色: + 信号  
 白色: - 信号

