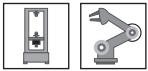
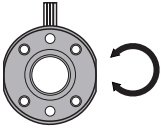


Torque Sensor



Capacities

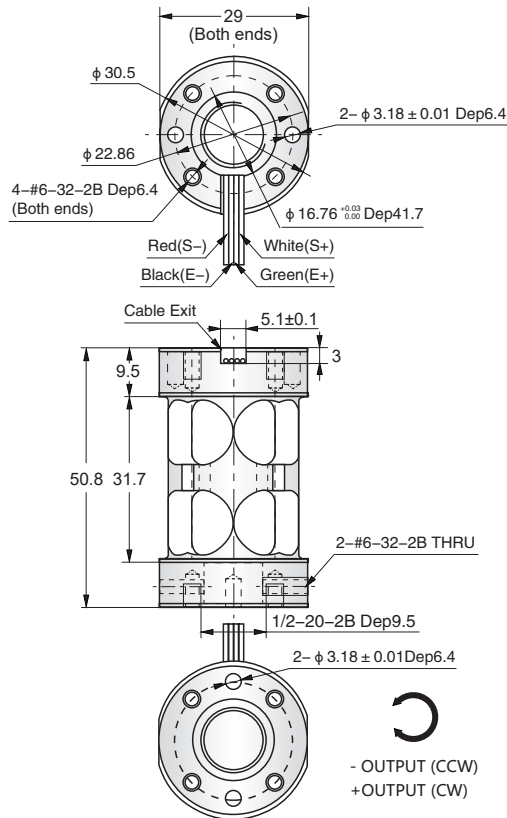
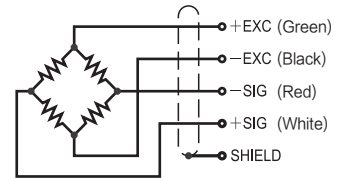
20in-oz, 50in-oz, 12in-lb, 50in-lb, 100in-lb

Features

- Torque sensor load cell
- Aluminum construction
- Easy to install
- Suitable for robotics and force measurements

Schematic

Green : + input
 Black : - input
 White : + output
 Red : - output



Specification

Rated Output	2.0mV/V	Safe Temp. Range	-50°C to + 93°C
Nonlinearity	±0.2% of rated output	Temp. Compensated	15°C to + 72°C
Hysteresis	±0.2% of rated output	Input Impedance	1000 ohm
Repeatability	±0.05% of rated output	Output Impedance	1000 ohm
Temp. effect on output	≤0.0036% of applied output/°C	Rated Excitation	10V DC/AC
Temp. effect on zero	≤0.0036% of rated output/°C	Maximum Excitation	20V DC/AC
Safe Overload	150% of RO	Wire Type	4 Conductor, Teflon Cable
Wire Length	6 in	Wire Specification	29AWG