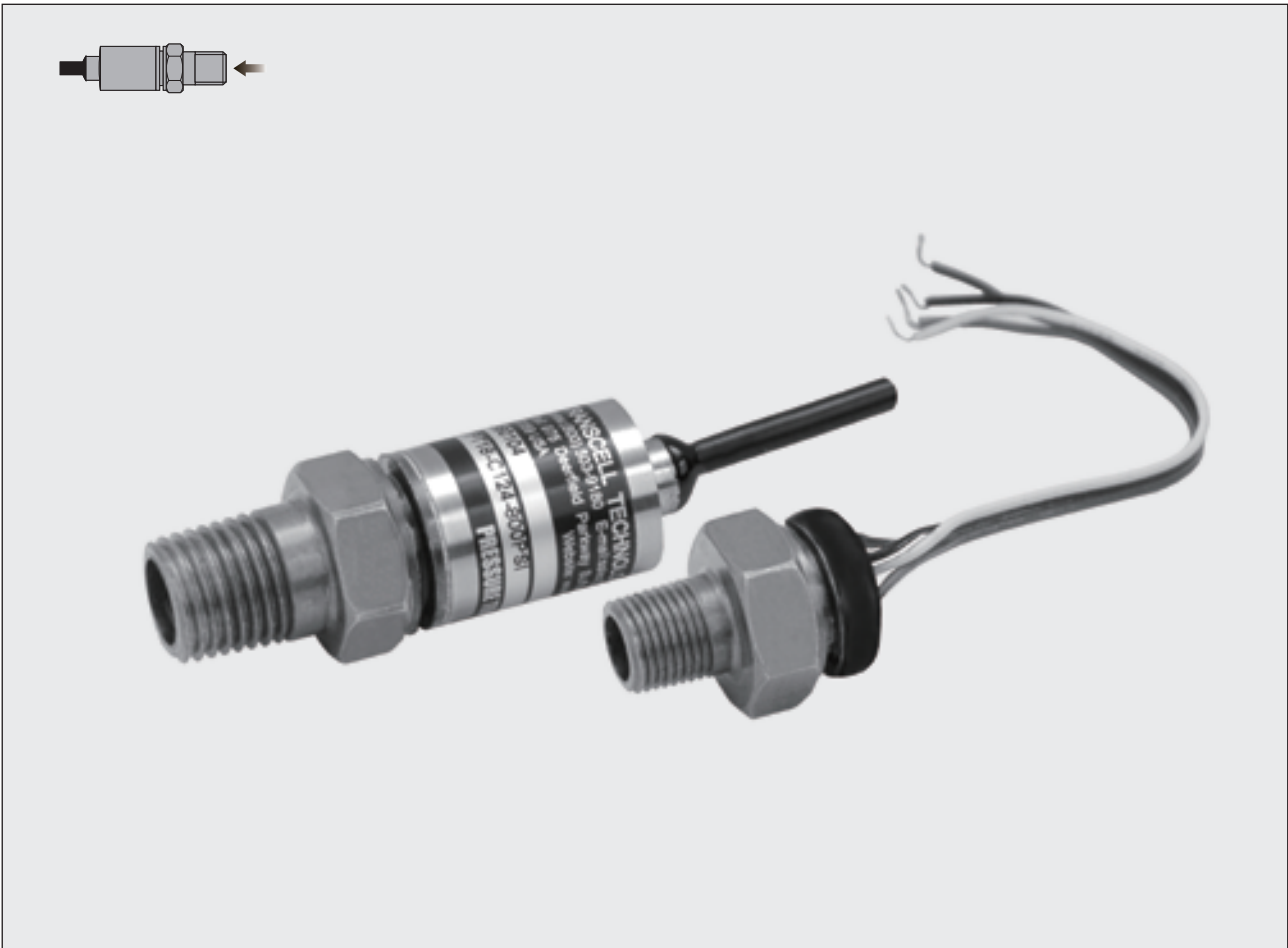


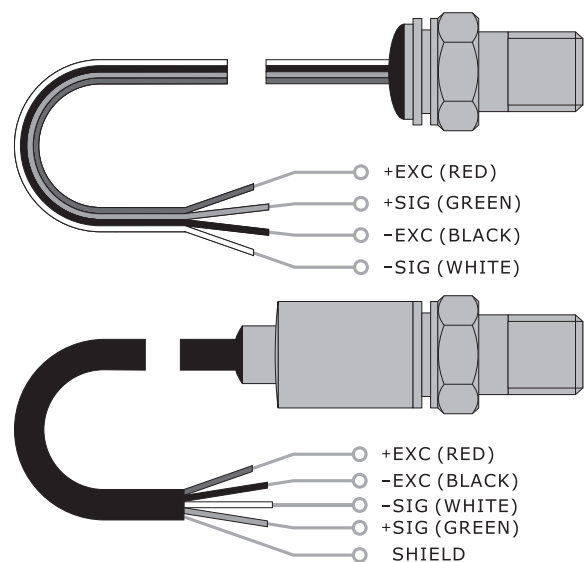
# Pressure Transducer



## Features 主要特点

- High Strength Stainless Steel Construction
- No Oil, Welds or Internal O-rings
- Wide Operating Temperature Range
- Low Static and Thermal Errors
- Compatible with Wide Range of Liquids and Gases
- Applicable to the field of impact resistance and shock resistance
- Suitable for industrial OEM equipment , hydraulic systems, automobile industry, refrigeration equipment, data Loggers and agricultural equipment and so on
- 高强度不锈钢结构
- 无硅油、焊缝或内置“O”型圈
- 高工作温度范围
- 低静态和热误差
- 测量气体与液体时可靠性能好
- 适用于抗冲击及震动领域
- 可应用于工业的OEM设备、液压系统、汽车行业冷藏、数据记录和农业设备

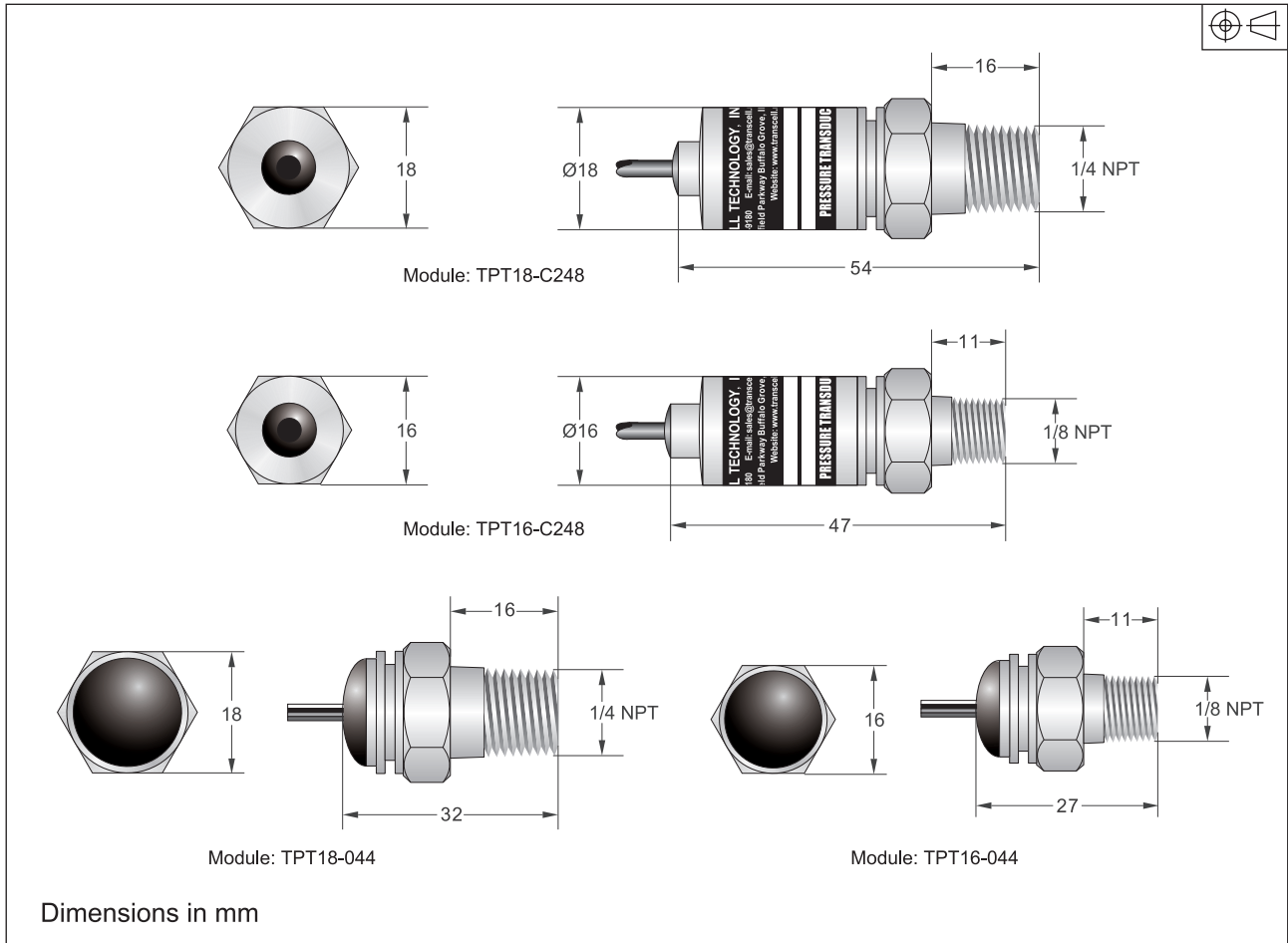
## Schematic 接线方式



## Capacities 量程

- 500PSI, 800PSI,1000PSI (TPT16 Series)
- 500PSI, 800PSI,1000PSI,1500PSI (TPT18 Series)

**Dimensions** 尺寸



**Specification** 技术参数

Input voltage: 5~10VDC	输入电压: 5 ~ 10VDC
Output: 5~20mv/10v(TPT16 Series) 5~30mv/10v(TPT18 Series)	输出: 5 ~ 20mv/10v(TPT16系列) 5 ~ 30mv/10v(TPT18系列)
Over pressure: ≤1.5 rated pressure	过压范围: ≤1.5 倍额定压力
Burst pressure: ≥1.8 rated pressure	爆裂压力: ≥1.8 倍额定压力
Input/output resistance: 2.3~2.8 KΩ	输入/输出阻抗: 2.3 ~ 2.8 KΩ
Zero offset: ≤±3%FS	零点变化: ≤±3%FS
Span tolerance: ≤±3%FS	灵敏度变化: ≤±3%FS
Operating temperature range: -4°F~185°F, -20°C~85°C	工作温度范围: -4°F ~ 185°F, -20°C ~ 85°C
Compatibility temperature range: 30°F~122°F, 0°C~50°C	温度补偿范围: 30°F ~ 122°F, 0°C ~ 50°C
Fluid Compatibility: Any gas or liquid compatible with 17-4PH stainless steel	适用气体和液体: 与17-PH不锈钢兼容的气体、液体均可适用
Accuracy: ≤1%FS ( at room temperature, include nonlinearity, hysteresis and repeatability )	精度: ≤1%FS (在室温条件下, 包括非线性、滞后性和重复性的综合精度)
Cable Color Code: Red(+E) Black(-E) Green(+S) White(-S)	导线颜色: 红(+E) 黑(-E) 绿(+S) 白(-S)
Type information(型号说明): A: TPT16 Series / TPT18 Series ( TPT16系列 / TPT18系列 ) B: 04-wire long 4 inches / C12-cable long 12 inches / C24-cable long 24 inches ( 04-排线长4英寸 / C12-电缆线长12英寸 / C24-电缆线长24英寸 ) C: 4- port type 1/4" NPT / 8- port type 1/8" NPT ( 4- 管道连接螺纹为1/4" NPT / 8- 管道连接螺纹为1/8" NPT ) D: Capacity ( 量程 )	