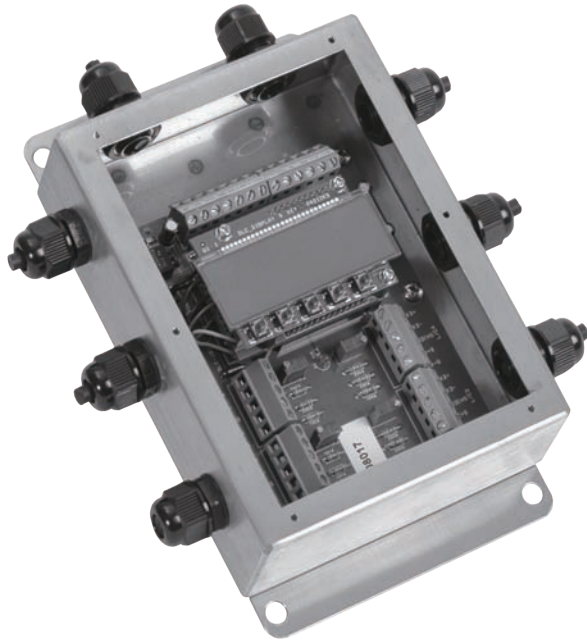


Transmitter

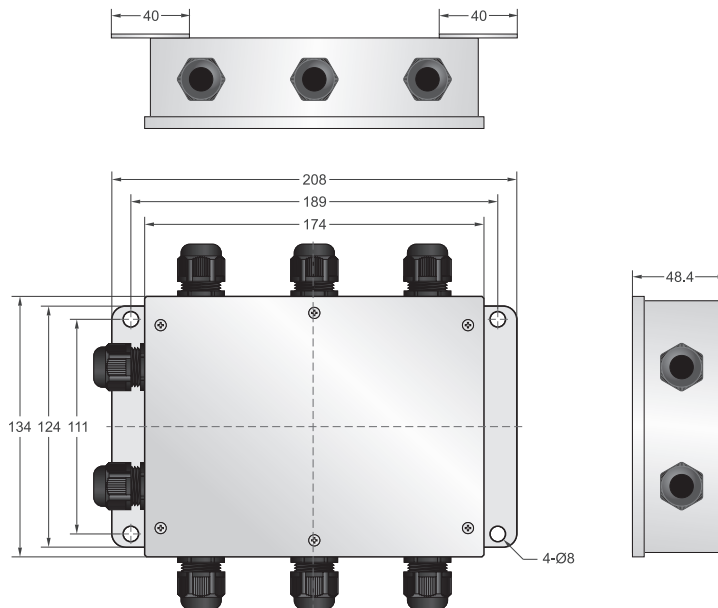
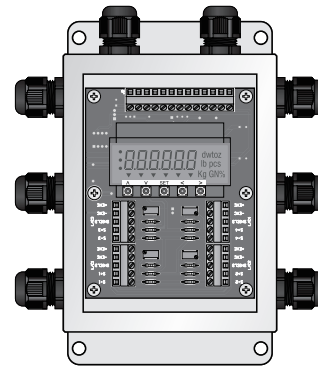
TI-1500VC Transmitter



Features

- Heavy duty stainless steel NEMA 4X enclosure
- Semi - duplex RS-485 serial port
- 4-20mA analog output
- Drives up to four 350Ω load cells
- 0-10V analog output (option)
- Peak hold
- Circuit inside for corner balancing
- Displays up to 50,000 graduations

Appearance



Specifications

Load Cell Excitation	+ 5 VDC	Display Resolution	Up to 50,000 External Grads, Selectable
Load Cell Current	Drives up to Four 350Ω Load Cells	Serial Port	Semi-Duplex RS-485 Format; 4-20mA Analog Output; 0-10V Analog Output (Option)
Analog Signal Input Range	0.2 mV/V min to 3.0 mV/V max	Power	15VDC, 24VDC, optional
Analog Sensitivity	0.4 V/grad, Minimum 1.0 V/grad Recommended Minimum for Legal-for-Trade	Operating Temperature	-10°C to 55°C
A/D Resolution	Up to 260,000 Internal Counts	Overall Dimensions	208mm x 134mm x 48.4mm
Display	7-segment, 6 Digit LED Display	(L xW xH)	