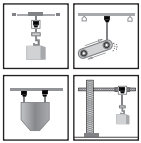
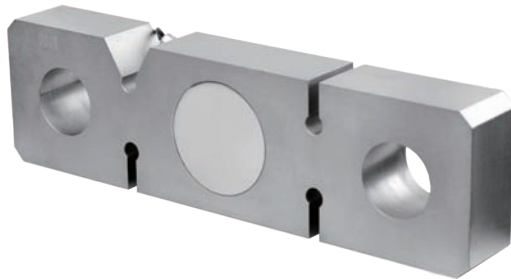


## Plate-Ring Type



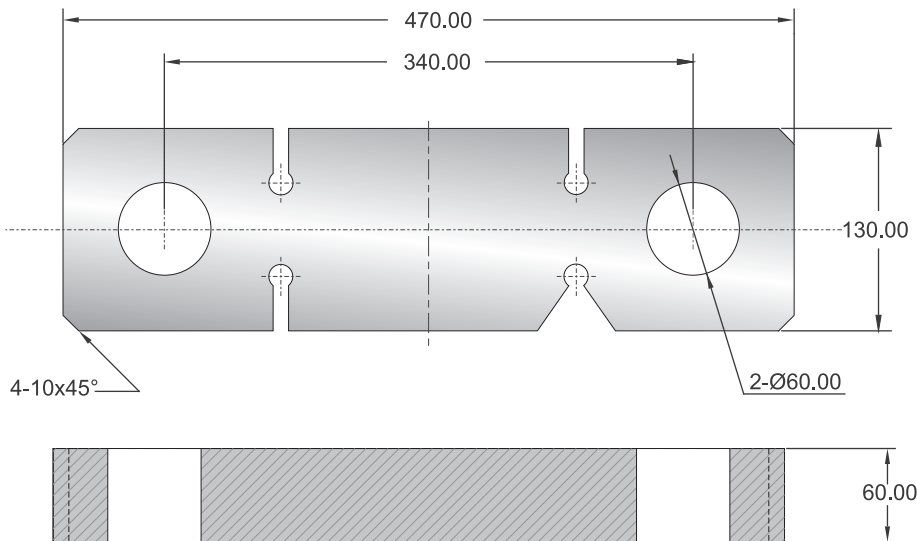
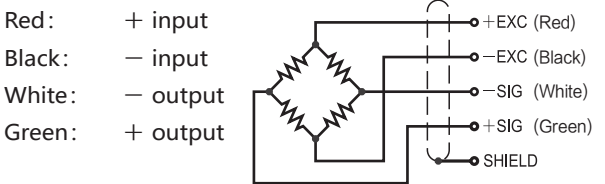
### Capacities

30t

### Features

- Nickel-plated alloy steel construction
- High accuracy
- High stability
- High protection class
- Easy to install
- Use in tough industrial environment
- Suitable for hook scales, hopper scales, packing scales and overload limiter, etc.

### Schematic



Specifications			
Rated Output	2.0mV/V±0.1%	Safe Temp. Range	-10°C to + 70°C
Zero Balance	±1% of rated output	Temp. Compensated	-10°C to + 40°C
Creep after 30 minutes	±0.05% of rated output	Safe Overload	150%
Nonlinearity	±0.05% of rated output	Ultimate Overload	200%
Hysteresis	±0.05% of rated output	Input Impedance	387 ohm ± 20 ohm
Repeatability	±0.05% of rated output	Output Impedance	350 ohm ± 5 ohm
Temp. effect on output	≤0.002% of applied output/°C	Insulation Resistance	≥5000 M ohm (50V DC)
Temp. effect on zero	≤0.002% of rated output/°C	Rated Excitation	10V DC/AC
Wire Length	6m	Maximum Excitation	15V DC/AC
Wire Material	Red(+ E) Black(- E) White(- S) Green(+ S)		