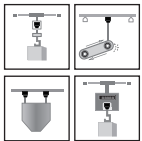
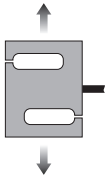


"S" Type



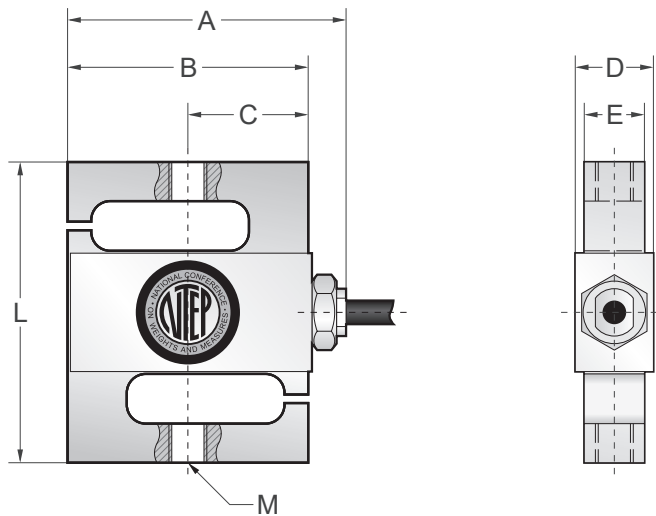
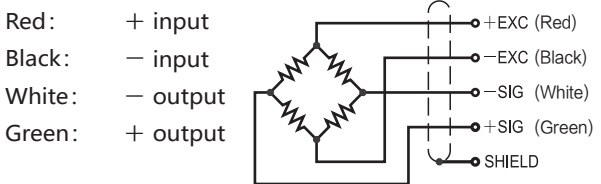
Capacities

25kg, 50kg, 250lb

Features

- S-Type load cell
- Nickel-plated alloy steel construction
- Easy to install, stable & reliable
- Suitable for tension measurement, batching systems, industrial scales and package systems, etc.

Schematic



Capacities		A	B	C	D	E	L	M
25kg~50kg	mm	58.8	50.8	2X25.4	16.5	12.7	63.5	M8X1.25 / M6
250lb	mm	58.8	50.8	2X25.4	16.5	12.7	63.5	M8X1.25 / 1/4-28 UNF

Specifications			
Rated Output	2.0mV/V \pm 0.1% / 3.0mV/V \pm 0.1%	Safe Temp. Range	-10°C to + 70°C
Zero Balance	\pm 1% of rated output	Temp. Compensated	-10°C to + 40°C
Creep after 30 minutes	\pm 0.03% of rated output	Safe Overload	150%
Nonlinearity	\pm 0.03% of rated output	Input Impedance	387 ohm \pm 20 ohm
Hysteresis	\pm 0.03% of rated output	Output Impedance	350 ohm \pm 5 ohm
Repeatability	\pm 0.03% of rated output	Insulation Resistance	\geq 5000 M ohm (50V DC)
Temp. effect on output	\leq 0.002% of applied output/°C	Rated Excitation	10V DC/AC
Temp. effect on zero	\leq 0.002% of rated output/°C	Maximum Excitation	15V DC/AC
Wire Length	6m	Wire Material	Red(+ E) Black(- E) White(- S) Green(+ S)