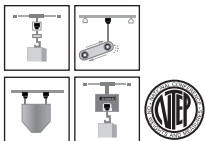
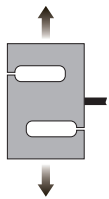


“S” Type



Capacities

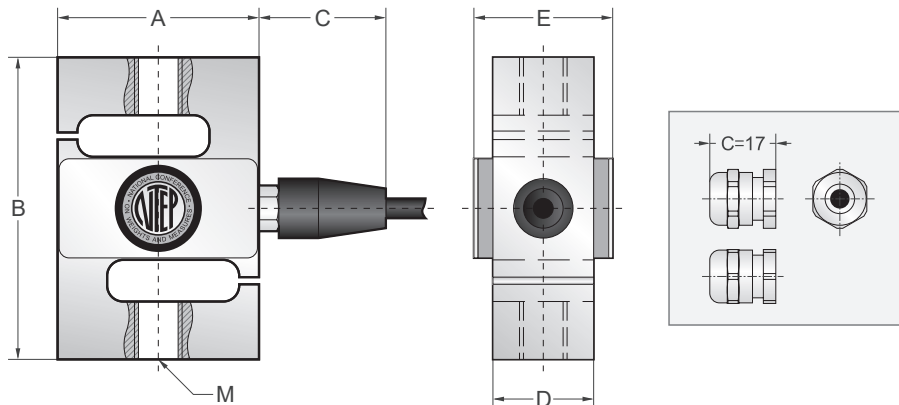
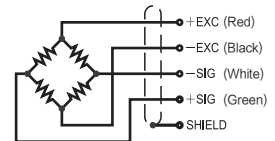
100kg, 200kg, 250kg, 500kg, 750kg, 1t, 1.5t, 2t, 2.5t, 5t, 7.5t, 10t

Features

- S-Type load cell
- NTEP approved
- Nickel-plated alloy steel construction
- Easy to install, stable & reliable
- Suitable for tension measurement, batching systems, blending & mixing systems, belt scales and package systems, etc.

Schematic

- Red: + input
- Black: - input
- White: - output
- Green: + output



Capacities		A	B	C	D	E	M
100kg	mm	50.8	76.2	32	19	28	M10X1.5
200kg-750kg	mm	50.8	76.2	32	19	28	M12×1.75
1t-1.5t	mm	50.8	76.2	32	25.4	35	M12×1.75
2t-5t	mm	76.2	108	32	25	31	M18×1.5
7.5t	mm	101.6	139.7	17	31.3	38	M24×2
10t	mm	127	177.8	17	50.4	57	M30×2

Specifications

Rated Output	3.0mV/V ±0.1%	Safe Temp. Range	-10°C to + 70°C
Zero Balance	±1% of rated output	Temp. Compensated	-10°C to + 40°C
Creep after 30 minutes	±0.03% of rated output	Safe Overload	150%
Nonlinearity	±0.03% of rated output	Input Impedance	387 ohm ± 20 ohm
Hysteresis	±0.03% of rated output	Output Impedance	350 ohm ± 5 ohm
Repeatability	±0.03% of rated output	Insulation Resistance	≥5000 M ohm (50V DC)
Temp. effect on output	≤0.002% of applied output/°C	Rated Excitation	10V DC/AC
Temp. effect on zero	≤0.002% of rated output/°C	Maximum Excitation	15V DC/AC
Wire Length	6m (20ft)	Wire Material	Red(+E) Black(-E) White(-S) Green(+S)