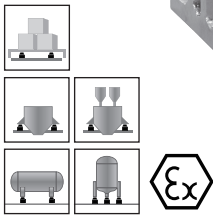
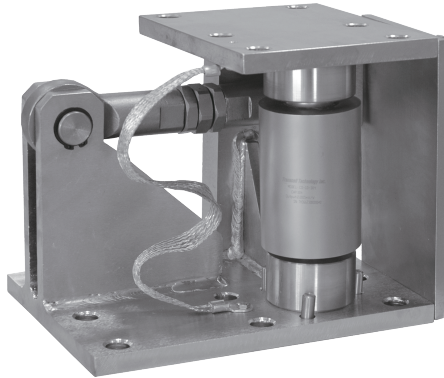
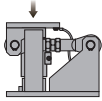


Weighing Mount



Capacities

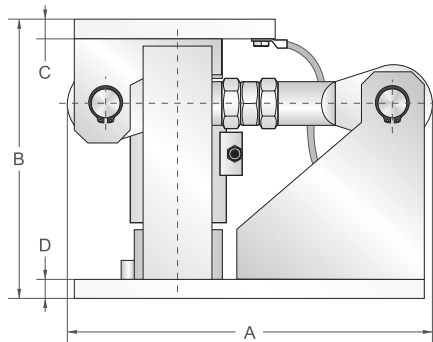
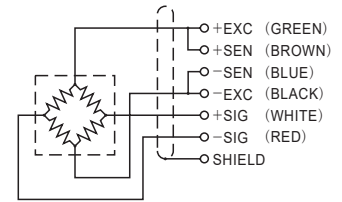
15t, 20t, 30t, 50t, 100t

Features

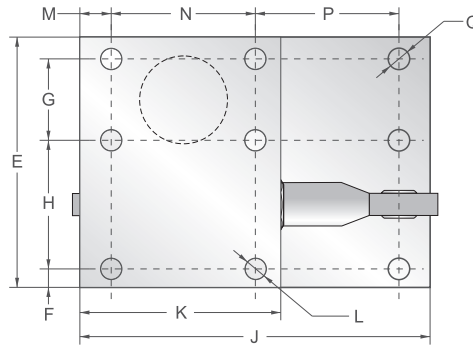
- Stainless steel construction
- Comes with a safety support block mark for overload protection
- Big Capacity, Light self-weight
- Suitable for large tonnage tank weighing control in harsh environments
- CD-GD (column type load cell) installed

Schematic

- Red : + input
- Black : - input
- White : - output
- Green : + output
- Brown : + sense
- Blue : - sense



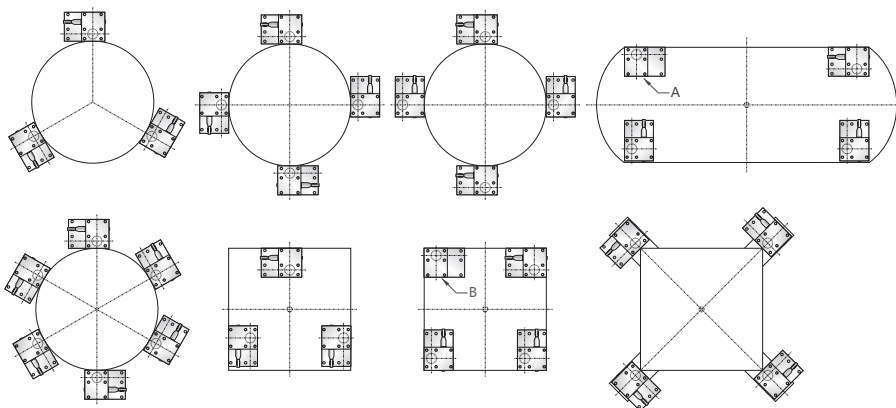
PROFILE



TOP

Capacities		A	B	C	D	E	F	G	H	J	K	L	M	N	P	Q
15t-50t	mm	292	222.5	15	15	200	17.5	65	102.5	280	160	6xØ28	25	115	115	9xØ18
100t	mm	432	300	30	30	400	35	165	165	420	300	6xØ22	35	230	120	9xØ22

Installation



A,B : In rectangular layout, one of the four weighing modules should remove the lateral spacing device.