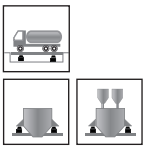
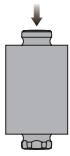


Column Type



Capacities

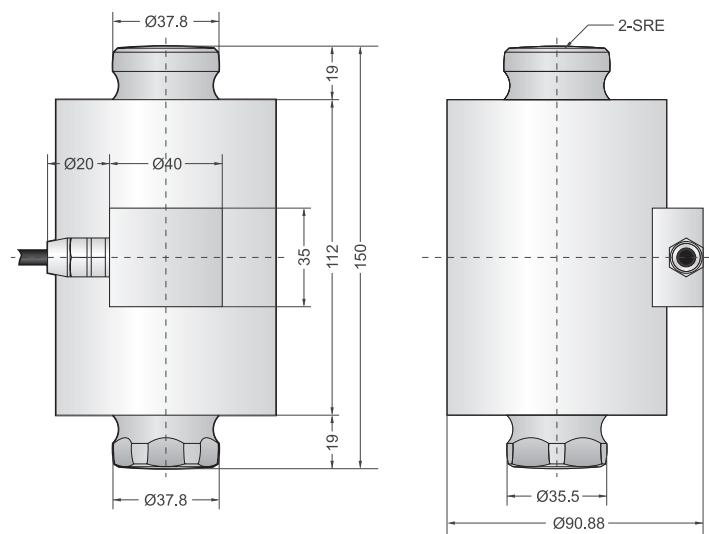
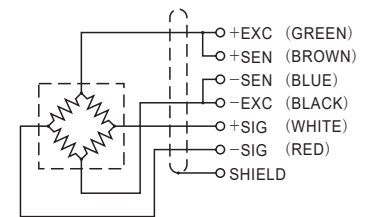
20t, 30t, 50t

Features

- Rocker Pin column load cell
- Total stainless steel construction
- Hermetically sealed
- Self-restoring design
- Easy to install
- High accuracy
- High stability
- Suitable for testing machine, truck scales and big bin & hopper scales, etc.

Schematic

- Green: + input
- Black: - input
- White: + output
- Red: - output
- Brown: + sense
- Blue: - sense



Capacities		SRE
20t/30t	mm	160
50t	mm	305

Specifications

Rated Output	2.0mV/V±0.1%	Safe Temp. Range	-10°C to + 70°C
Zero Balance	±1% of rated output	Temp. Compensated	-10°C to + 40°C
Creep after 30 minutes	±0.03% of rated output	Safe Overload	150%
Nonlinearity	±0.03% of rated output	Input Impedance	1120 ohm ± 20 ohm
Hysteresis	±0.03% of rated output	Output Impedance	1000 ohm ± 5 ohm
Repeatability	±0.03% of rated output	Insulation Resistance	≥5000 M ohm (50V DC)
Temp. effect on output	≤0.002% of applied output/°C	Rated Excitation	10V DC/AC
Temp. effect on zero	≤0.002% of rated output/°C	Maximum Excitation	15V DC/AC
Wire Length	13m	Wire Material	GN(+E) BK(-E) WT(+S) RD(-S)BN(+SEN) BU(-SEN)