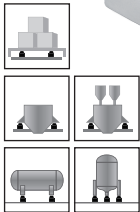
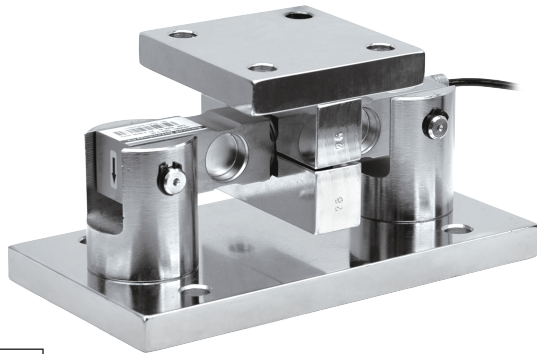
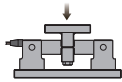


Weighing Mount



Capacities

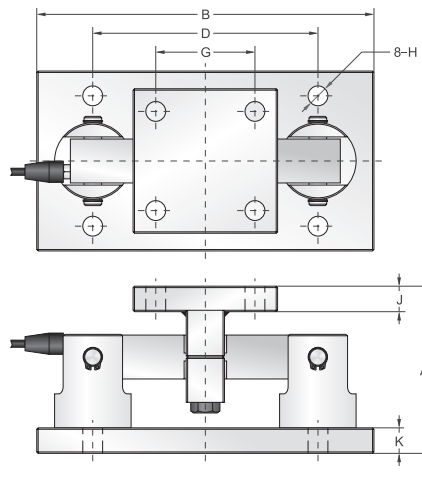
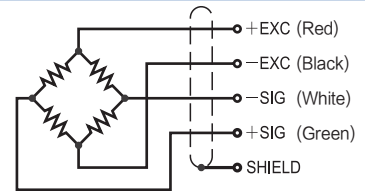
1klb, 1.5klb, 2klb, 2.5klb, 3klb, 5klb, 10klb, 15klb, 20klb, 25klb, 30klb, 50klb, 75klb

Features

- Alloy steel construction throughout
- Mounts to floor or structural support directly
- DBS (double ended shear beam load cell) installed
- Suitable for warehouse & inventory monitoring and batching systems, etc.

Schematic

Red : + input
 Black : - input
 White : - output
 Green : + output



Capacities		A	B	C	D	E	F	G	H	J	K
1klb-5klb	mm	118	238	127	159	92	102	70	Ø14	18	18
10klb-30klb	mm	171	280	200	190.5	140	200	140	Ø18	24	20
50klb-75klb	mm	198.3	413	305	292.1	241.3	228.6	165.1	Ø19.8	25.4	25.4

Specifications

Rated Output	3.0mV/V ±0.1%	Safe Temp. Range	-10°C to + 70°C
Zero Balance	±1% of rated output	Temp. Compensated	-10°C to + 40°C
Creep after 30 minutes	±0.03% of rated output	Safe Overload	150%
Nonlinearity	±0.03% of rated output	Input Impedance	755 ohm ± 20 ohm
Hysteresis	±0.03% of rated output	Output Impedance	700 ohm ± 5 ohm
Repeatability	±0.03% of rated output	Insulation Resistance	≥5000 M ohm (50V DC)
Temp. effect on output	≤0.002% of applied output/°C	Rated Excitation	10V DC/AC
Temp. effect on zero	≤0.002% of rated output/°C	Maximum Excitation	15V DC/AC
Wire Length	6m/10m/20m	Wire Material	Red(+E) Black(-E) White(-S) Green(+S)