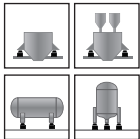
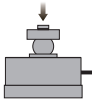


## Weighing Mount



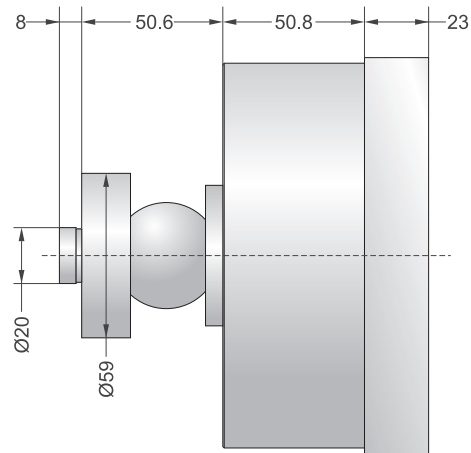
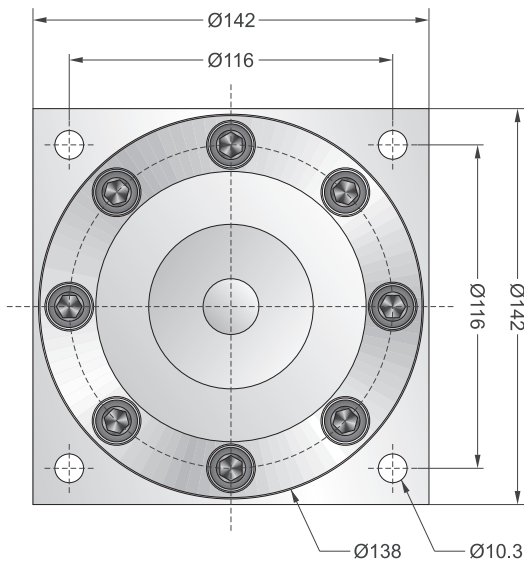
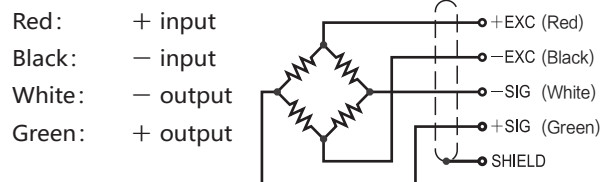
### Capacities

15t

### Features

- Alloy steel construction throughout
- Mounts to floor or structural support directly
- DBSL-SA (pancake type load cell)
- Suitable for warehouse & inventory monitoring and batching systems, etc.

### Schematic



Specifications			
Rated Output	2.0mV/V ±0.25%	Safe Temp. Range	-10°C to + 70°C
Zero Balance	±1% of rated output	Temp. Compensated	-10°C to + 40°C
Creep after 30 minutes	±0.03% of rated output	Safe Overload	150%
Nonlinearity	±0.03% of rated output	Input Impedance	755 ohm ± 20 ohm
Hysteresis	±0.03% of rated output	Output Impedance	700 ohm ± 5 ohm
Repeatability	±0.03% of rated output	Insulation Resistance	≥5000 M ohm (50V DC)
Temp. effect on output	≤0.002% of applied output/°C	Rated Excitation	10V DC/AC
Temp. effect on zero	≤0.002% of rated output/°C	Maximum Excitation	15V DC/AC
Wire Length	6m	Wire Material	Red(+ E) Black(-E) White(-S) Green(+ S)