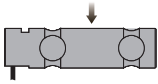


Double Ended Shear Beam

Double Ended Shear Beam



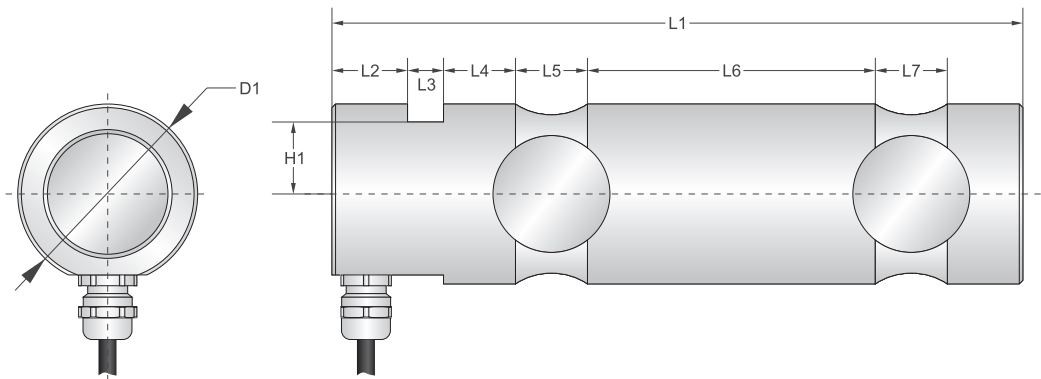
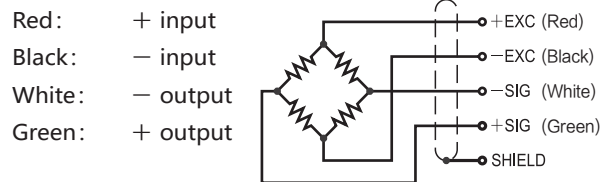
Capacities

5t, 10t

Features

- Double ended shear beam load cell
- Nickel-plated alloy steel construction
- High accuracy
- High stability
- High protection class
- Easy to install
- Use in tough industrial environment
- Suitable for all kinds of safety limiters

Schematic



Capacities		L1	L2	L3	L4	L5	L6	L7	H1	D1
5t/10t	mm	192	21	10	20	20	80	20	20	Ø50

Specifications			
Rated Output	1.0mV/V±1%	Safe Temp. Range	-10°C to + 70°C
Zero Balance	±1% of rated output	Temp. Compensated	-10°C to + 40°C
Creep after 30 minutes	±0.2% of rated output	Safe Overload	150%
Nonlinearity	±0.5% of rated output	Ultimate Overload	200%
Hysteresis	±0.5% of rated output	Input Impedance	775 ohm ± 20 ohm
Repeatability	±0.5% of rated output	Output Impedance	700 ohm ± 5 ohm
Temp. effect on output	≤0.02% of applied output /°C	Insulation Resistance	≥5000 M ohm (50V DC)
Temp. effect on zero	≤0.02% of rated output /°C	Rated Excitation	10V DC/AC
Wire Length	6m	Maximum Excitation	15V DC/AC
Wire Material	Red(+ E) Black(- E) White(- S) Green(+ S)		