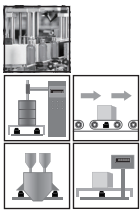
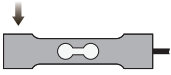
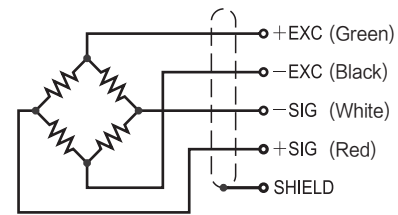
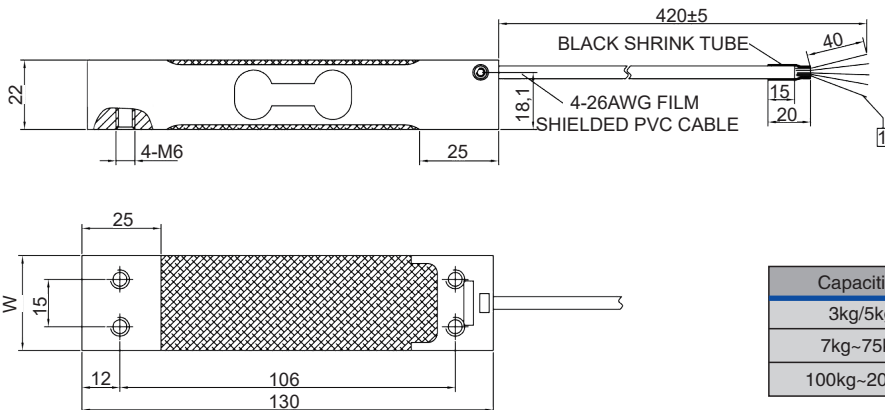


## Single Point



Maximum platform: 350X350mm



| Capacities  |    | W ± 0.1 |
|-------------|----|---------|
| 3kg/5kg     | mm | 24      |
| 7kg~75kg    | mm | 30      |
| 100kg~200kg | mm | 40      |

| Specifications                 |                |        |        |                           |  |
|--------------------------------|----------------|--------|--------|---------------------------|--|
| Accuracy Class                 | C2             | C2.5   | C3     | Break Load                | >300% of R.C.                            |
| Max Number Of Intervals        | 2000           | 2500   | 3000   | Nominal Excitation        | 10V                                      |
| Y=Emax/vmin                    | 4000           | 6000   | 7500   | Max. Excitation           | 15V                                      |
| Z=Emax/(2*DR)                  | 2000           | 2500   | 3000   | Input Impedance           | 406 ± 150Ohm                             |
| Eccentric Loading Error(±%/cm) | 0.0057         | 0.0042 | 0.0036 | Output Impedance          | 350 ± 30Ohm                              |
| Sensitivity                    | 2.00mV/V       |        |        | Insulation Resistance     | >2000MOhm                                |
| Sensitivity Tolerance          | ±0.20mV/V      |        |        | Compensation Circuit Type | Balanced Bridge(+S)                      |
| Zero Balance                   | ±0.10mV/V      |        |        | Cable Length              | 420±5mm                                  |
| Maximum Platform               | 350x350mm      |        |        | Cable Type                | 4x26 AWG, Black PVC Jacket               |
| Nominal Temperature Range      | -10°C to +40°C |        |        | Color Code                | Green(+E), Red(+S), Black(-E), White(-S) |
| Service Temperature Range      | -30°C to +70°C |        |        | Protection Class          | IP66                                     |
| Limit Load                     | >150% of R.C.  |        |        |                           |  |