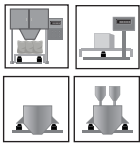
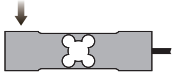


Single Point



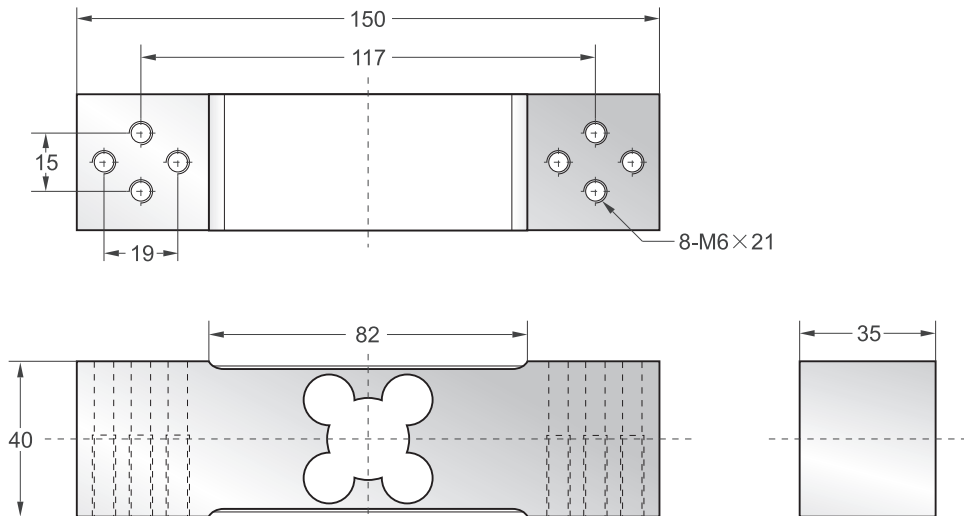
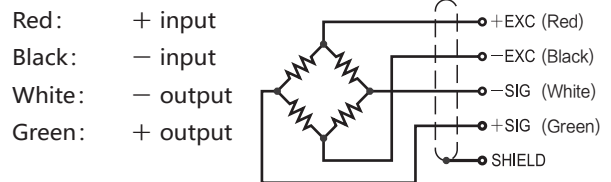
Capacities

100kg

Features

- Single point load cell
- Easy to install
- Nickel-plated alloy steel construction
- Suitable for packing scales, blending scale, platform scales, etc.
- High accuracy
- High stability
- High protection class

Schematic



Specifications			
Rated Output	1.0mV/V±1%	Safe Temp. Range	-10°C to + 70°C
Zero Balance	±1% of rated output	Temp. Compensated	-10°C to + 40°C
Creep after 30 minutes	±0.02% of rated output	Safe Overload	150%
Nonlinearity	±0.02% of rated output	Ultimate Overload	200%
Hysteresis	±0.02% of rated output	Input Impedance	387 ohm ± 20 ohm
Repeatability	±0.02% of rated output	Output Impedance	350 ohm ± 5 ohm
Temp. effect on output	≤0.02% of applied output /°C	Insulation Resistance	≥5000 M ohm (50V DC)
Temp. effect on zero	≤0.02% of rated output /°C	Rated Excitation	10V DC/AC
Wire Length	2m	Maximum Excitation	15V DC/AC
Wire Material	Red(+E) Black(-E) White(-S) Green(+S)		