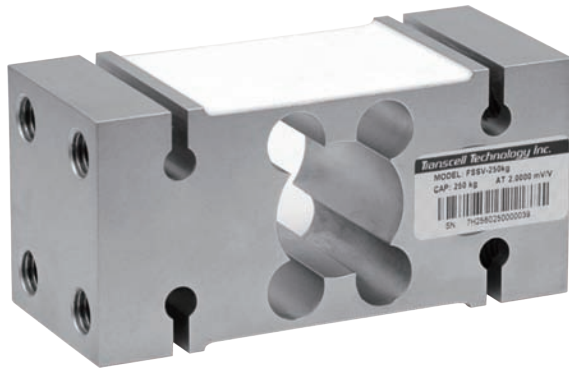


Single Point



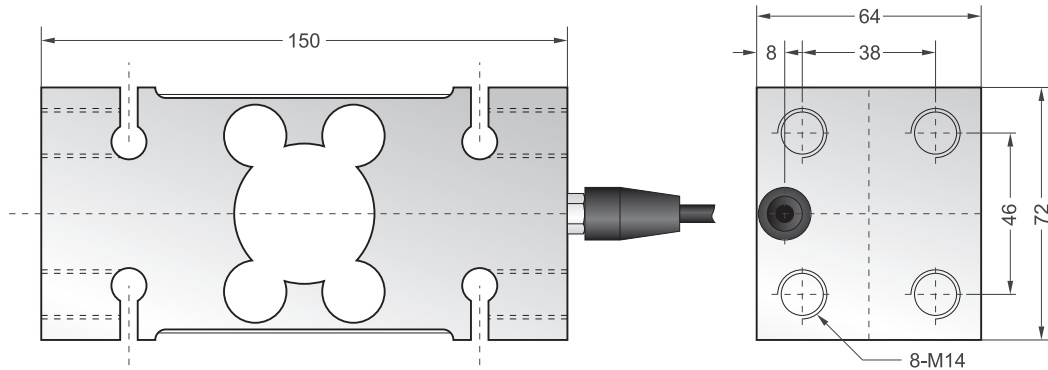
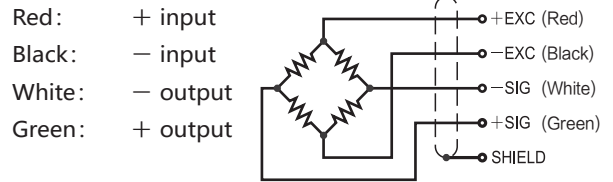
Capacities

150kg, 250kg, 500kg, 750kg, 1000kg

Features

- Single point load cell
- Protected against corrosion by nickel-plated treatment
- High protection class
- Suitable for package systems and batching systems, etc.
- Nickel-plated alloy steel construction
- High accuracy
- High stability
- Easy to install

Schematic



Specifications			
Rated Output	2.0mV/V±0.1%	Safe Temp. Range	-30°C to + 70°C
Zero Balance	±1% of rated output	Temp. Compensated	-10°C to + 40°C
Creep after 30 minutes	±0.03% of rated output	Safe Overload	150%
Nonlinearity	±0.03% of rated output	Ultimate Overload	200%
Hysteresis	±0.03% of rated output	Input Impedance	387 ohm ± 20 ohm
Repeatability	±0.03% of rated output	Output Impedance	350 ohm ± 5 ohm
Temp. effect on output	≤0.02% of applied output /°C	Insulation Resistance	≥5000 M ohm (50V DC)
Temp. effect on zero	≤0.02% of rated output /°C	Rated Excitation	10V DC/AC
Wire Length	2.5m	Maximum Excitation	15V DC/AC
Wire Material	Red(+E) Black(-E) White(-S) Green(+S)		