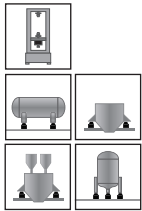
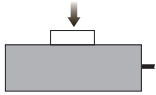


Pancake Type



Capacities

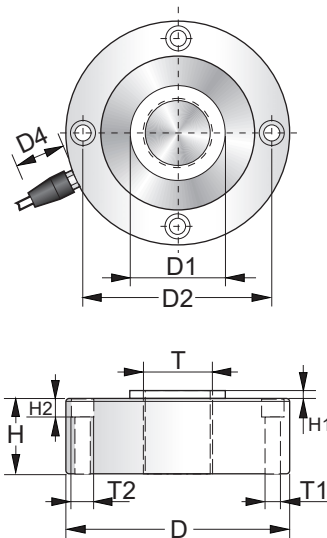
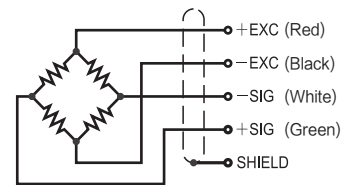
2.5t, 5t

Features

- Pancake type load cell
- Alloy steel construction
- High accuracy
- High stability
- Easy to install
- Protected against corrosion by nickel-plated treatment
- Suitable for testing machine, bin & hopper scales, etc.

Schematic

- Red: + input
- Black: - input
- White: - output
- Green: + output



Capacities		D	D1	D2	D4	H	H1	H2	T	T1	T2
2.5t/5t	mm	Ø104.7	Ø32	Ø88.9	32	34.8	3.05	7.2	M16 x 1.5	4xØ7.2	4xØ10.5
	inch	Ø4.12	Ø1.26	Ø3.5	1.26	1.37	0.12	0.28		4xØ0.28	4xØ0.41

Specification			
Rated Output	3.0mV/V ±0.25%	Safe Temp. Range	-20°C to + 60°C
Zero Balance	±1% of rated output	Temp. Compensated	-10°C to + 40°C
Creep after 30 minutes	±0.03% of rated output	Safe Overload	150%
Nonlinearity	±0.025% of rated output	Input Impedance	385 ohm ± 5 ohm
Hysteresis	±0.025% of rated output	Output Impedance	350 ohm ± 3 ohm
Repeatability	±0.02% of rated output	Insulation Resistance	≥5000 M ohm (50V DC)
Temp. effect on output	≤0.0015% of applied output/°C	Rated Excitation	10V DC/AC
Temp. effect on zero	≤0.0026% of rated output/°C	Maximum Excitation	15V DC/AC
Wire Length	3m	Wire Material	TPR cable
Wire Specification	24AWG	Wire Type	Shielding net four core