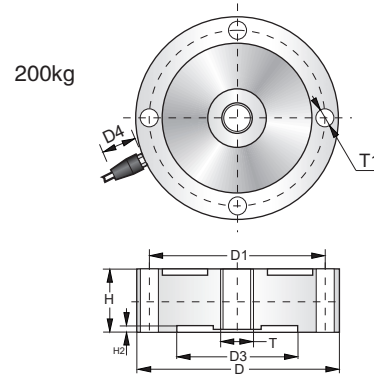
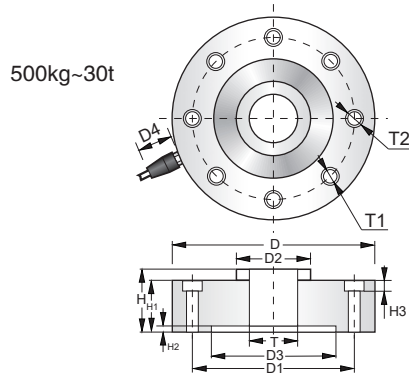
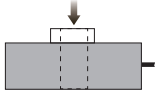


Pancake Type



Capacities

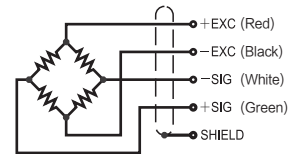
0.2t, 0.5t, 1t, 1.5t, 2.5t, 5t, 10t, 20t, 25t, 30t

Features

- Pancake type load cell
- Alloy steel construction
- Aluminum construction (200kg)
- High accuracy
- High stability
- Easy to install
- Protected against corrosion by nickel-plated treatment
- Suitable for testing machine

Schematic

Red: + input
 Black: - input
 White: - output
 Green: + output



Capacities		D	D1	D2	D3	D4	H	H1	H2	H3	T	T1	T2
200kg	mm	Ø75	Ø65.5	-	Ø56	32	26	-	3	-	M12-6H	4xØ6.5	-
	inch	Ø2.95	Ø2.58	-	Ø2.2	1.26	1.02	-	0.12	-		4xØ0.25	-
500kg-1t	mm	Ø90	Ø78	Ø22	Ø65	32	43	40	3	6	M12 x 1.75	8xØ6.6	8xØ10.5
	inch	Ø3.54	Ø3.07	Ø0.87	Ø2.56	1.26	1.69	1.57	0.12	0.24		8xØ0.26	8xØ0.41
1.5t-2.5t	mm	Ø105	Ø89	Ø32	Ø75	32	35	32	3	7.2	M16 x 2	8xØ7.2	8xØ10.5
	inch	Ø4.13	Ø3.5	Ø1.26	Ø2.95	1.26	1.38	1.26	0.12	-		8xØ0.25	-
5t-10t	mm	Ø138	Ø110	Ø44	Ø88	32	46	41	3	12	M27 x 2	8xØ13.2	8xØ19
	inch	Ø5.43	Ø4.33	Ø1.73	Ø3.46	1.26	1.81	1.62	0.12	0.47		8xØ0.52	8xØ0.75
20t-30t	mm	Ø165	Ø130	Ø55	Ø96	32	50	41	3	20	M36 x 2	8xØ21	8xØ31
	inch	Ø6.5	Ø5.11	Ø2.17	Ø3.78	1.26	1.97	1.62	0.12	0.79		8xØ0.83	8xØ1.22

Specification

Rated Output	3.0mV/V ±0.25%	Safe Temp. Range	-20°C to + 60°C
Zero Balance	±1% of rated output	Temp. Compensated	-10°C to + 40°C
Creep after 30 minutes	±0.03% of rated output	Safe Overload	150%
Nonlinearity	±0.05% of rated output	Input Impedance	385 ohm ± 5 ohm
Hysteresis	±0.05% of rated output	Output Impedance	350 ohm ± 3 ohm
Repeatability	±0.02% of rated output	Insulation Resistance	≥5000 M ohm (50V DC)
Temp. effect on output	≤0.0015% of applied output/°C	Rated Excitation	10V DC/AC
Temp. effect on zero	≤0.0026% of rated output/°C	Maximum Excitation	15V DC/AC
Wire Length	3m	Wire Material	TPR cable
Wire Specification	24AWG	Wire Type	Shielding net four core