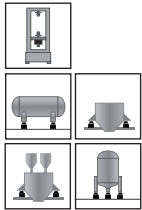
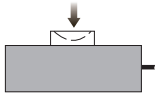


Pancake Type



Capacities

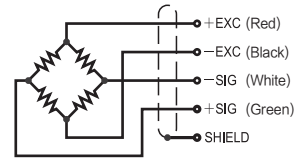
5klbs, 10klbs, 25klbs, 50klbs, 100klbs

Features

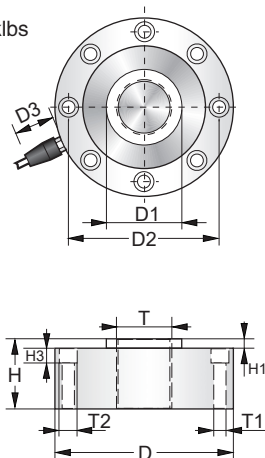
- Pancake type load cell
- Alloy steel construction
- High accuracy
- High stability
- Easy to install
- Protected against corrosion by nickel-plated treatment
- Suitable for testing machine, bin & hopper scales, etc.

Schematic

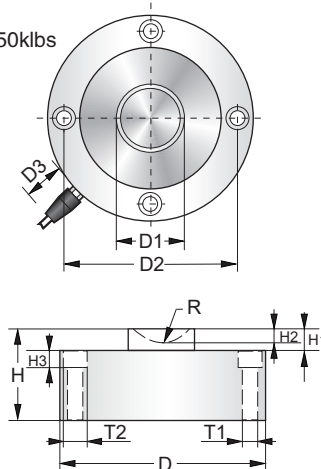
Red: + input
 Black: - input
 White: - output
 Green: + output



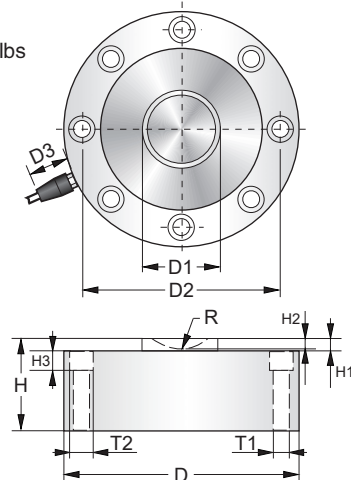
5klbs~10klbs



25klbs~50klbs



100klbs



Capacities		D	D1	D2	D3	H	H1	H2	H3	R	T	T1	T2
5klbs~10klbs	mm	Ø104.7	Ø32	Ø88.9	32	34.8	3.05	-	7.2	-	5/8-18UNF	8xØ7.2	8xØ10.5
	inch	Ø4.12	Ø1.26	Ø3.5	1.26	1.37	0.12	-	0.28	-		8xØ0.28	8xØ0.41
25klbs~50klbs	mm	Ø120.7	Ø38.9	Ø101.6	32	53.8	12.7	7.6	9.7	Ø22.2	-	4xØ8.7	4xØ13.5
	inch	Ø4.75	Ø1.53	Ø4	1.26	2.12	0.5	0.3	0.38	Ø0.87	-	4xØ0.34	4xØ0.53
100klbs	mm	Ø138	Ø50.4	Ø116.8	32	57.2	6.4	7.6	11	Ø22.2	-	8xØ10.13	8xØ16.5
	inch	Ø5.43	Ø1.98	Ø4.6	1.26	2.25	0.25	0.3	0.43	Ø0.87	-	8xØ0.41	8xØ0.65

Specification

Rated Output	4.0mV/V ±0.25%	Safe Temp. Range	-20°C to + 60°C
Zero Balance	±1% of rated output	Temp. Compensated	-10°C to + 40°C
Creep after 30 minutes	±0.03% of rated output	Safe Overload	150%
Nonlinearity	±0.05% of rated output	Input Impedance	385 ohm ± 5 ohm
Hysteresis	±0.05% of rated output	Output Impedance	350 ohm ± 3 ohm
Repeatability	±0.02% of rated output	Insulation Resistance	≥5000 M ohm (50V DC)
Temp. effect on output	≤0.0015% of applied output/°C	Rated Excitation	10V DC/AC
Temp. effect on zero	≤0.0026% of rated output/°C	Maximum Excitation	15V DC/AC
Wire Length	3m	Wire Material	TPR cable
Wire Specification	24AWG	Wire Type	Shielding net four core