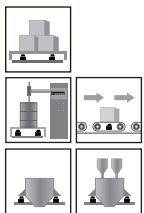


Single Ended Shear Beam



Capacities

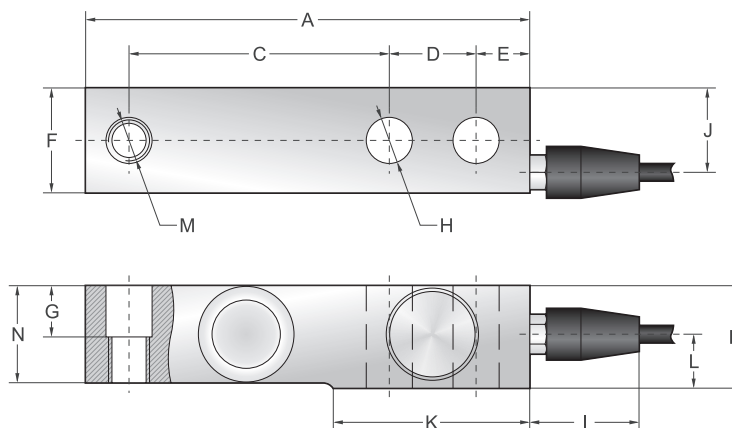
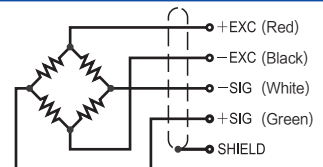
250lb, 250kg, 500kg, 1000kg, 1500kg, 2000kg, 2500kg, 5000kg

Features

- Single ended shear beam load cell
- Stainless steel construction
- Welded Gage Cavity
- High accuracy
- High stability
- Anti-explosion (option)
- Easy to install
- Suitable for floor scales, blending & mixing systems, belt scales and batching systems, etc.

Schematic

Red: + input
 Black: - input
 White: - output
 Green: + output



Capacities		A	B	C	D	E	F	G	H	I	J	K	L	M	N
250lb	mm	130	30	76.2	25.4	15.7	30.7	15	2×Ø13.5	32	24.7	57.5	15.8	1/2"-20 UNF	28.4
250kg~2.5ts	mm	130	30	76.2	25.4	15.7	30.7	15	2×Ø13.5	32	24.7	57.5	15.8	M12×1.75	28.4
2.5t~5t	mm	171.5	36.5	95.3	38.1	19.1	36.5	17.5	2×Ø19.8	32	30.7	76.2	19.5	M18×1.5	34

Specifications

Rated Output	2.0mV/V±0.1% / 3.0mV/V±0.1%	Safe Temp. Range	-10°C to + 70°C
Zero Balance	±1% of rated output	Temp. Compensated	-10°C to + 40°C
Creep after 30 minutes	±0.03% of rated output	Safe Overload	150%
Nonlinearity	±0.03% of rated output	Input Impedance	387 ohm ± 20 ohm
Hysteresis	±0.03% of rated output	Output Impedance	350 ohm ± 5 ohm
Repeatability	±0.03% of rated output	Insulation Resistance	≥5000 M ohm (50V DC)
Temp. effect on output	≤0.002% of applied output/°C	Rated Excitation	10V DC/AC
Temp. effect on zero	≤0.002% of rated output/°C	Maximum Excitation	15V DC/AC
Wire Length	6m	Wire Material	Red(+E) Black(-E) White(-S) Green(+S)