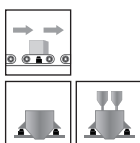


Single Ended Shear Beam



Capacities

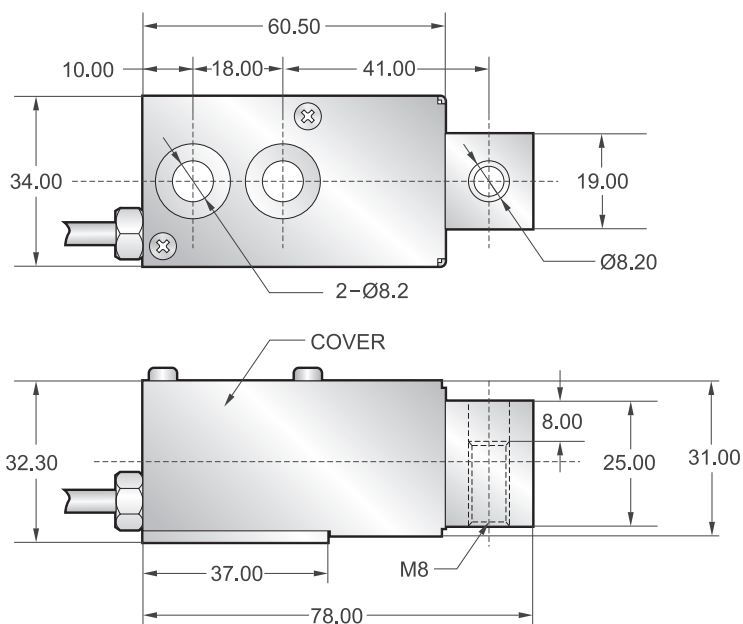
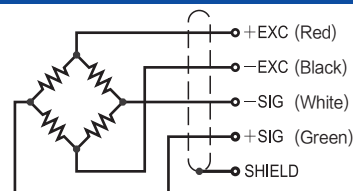
25kg, 50kg

Features

- Single ended shear beam load cell
- Alloy steel construction
- High accuracy
- High stability
- Easy to install
- Protected against corrosion by nickel-plated treatment
- Suitable for belt scales and batching systems, etc.

Schematic

Red: + input
 Black: - input
 White: - output
 Green: + output



Specifications

Rated Output	2.0mV/V±1%	Safe Temp. Range	-10°C to + 70°C
Zero Balance	±1% of rated output	Temp. Compensated	-10°C to + 40°C
Creep after 30 minutes	±0.03% of rated output	Safe Overload	150%
Nonlinearity	±0.03% of rated output	Input Impedance	387 ohm ± 20 ohm
Hysteresis	±0.03% of rated output	Output Impedance	350 ohm ± 5 ohm
Repeatability	±0.03% of rated output	Insulation Resistance	≥5000 M ohm (50V DC)
Temp. effect on output	≤0.002% of applied output/°C	Rated Excitation	10V DC/AC
Temp. effect on zero	≤0.002% of rated output/°C	Maximum Excitation	15V DC/AC
Wire Length	200cm	Wire Material	Red(+E) Black(-E) White(-S) Green(+S)