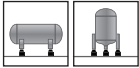
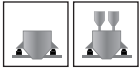
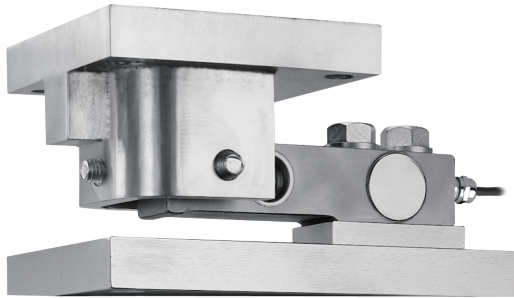
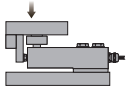


Weighing Mount



Capacities

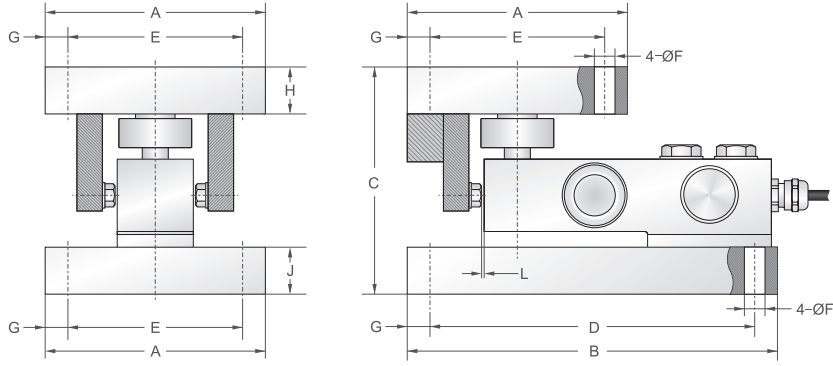
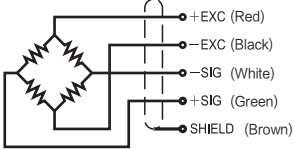
250kg, 500kg, 1000kg, 2000kg, 5000kg, 10000kg, 13500kg, 20000kg

Features

- Stainless steel construction throughout
- Dynamic loading module
- SBSZ (single ended shear beam stainless steel load cell) installed
- Equipped with adjustable level position-control bolt
- Suitable for floor scales, blending & mixing systems, batching systems, roller conveyer scale and process control, etc.

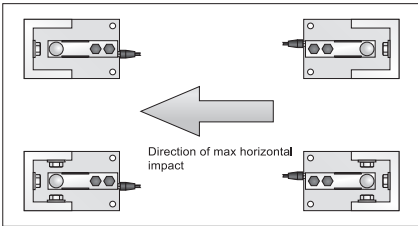
Schematic

- Red : + input
- Black : - input
- White : - output
- Green : + output
- Brown : shield

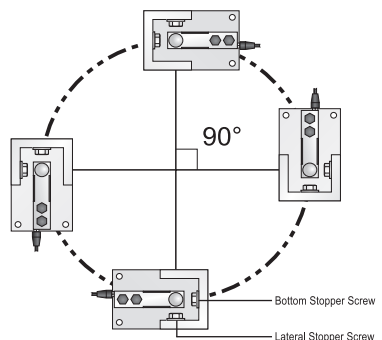


Capacities		A	B	C	D	E	F	G	H	J	L
0.25t-2t	mm	114.3	177.8	104.8	152.4	88.9	11	12.7	19	19	1.6
5t	mm	152.4	235	136.5	184.2	101.6	17.5	25.4	31.8	25.4	1.6
10t/13.5t	mm	203.2	355.6	190.5	304.8	152.4	20.6	25.4	44.5	44.5	3
20t	mm	228.6	406.4	228.6	342.9	165.1	28.5	31.8	50.8	50.8	3

Installation



Rectangular Layout



Tangential Layout

! Note : when only 2 modules are bearing impact, they should be at the same side of the scale.