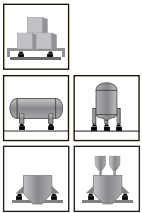


Single Ended Shear Beam



Capacities

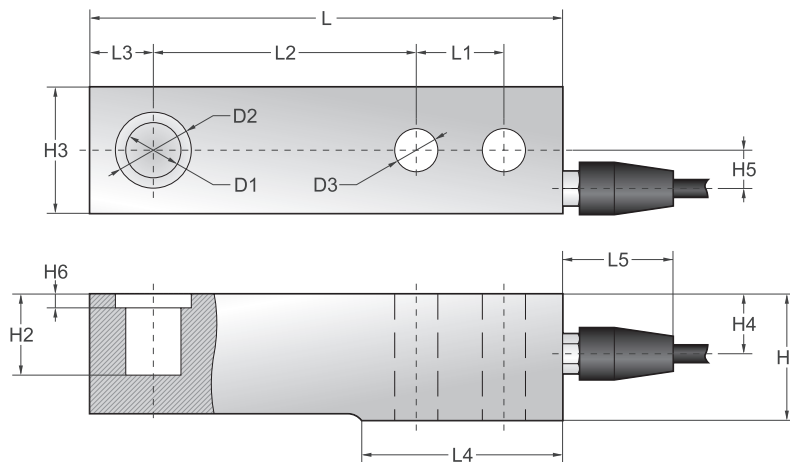
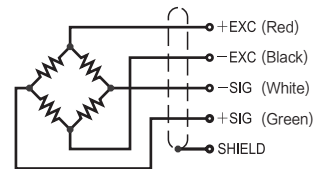
500kg, 1000kg, 2000kg

Features

- Single ended shear beam load cell
- Alloy steel construction / stainless steel (option)
- High accuracy
- High stability
- Unique "blind" loading hole
- Easy to install
- Protected against corrosion by nickel-plated treatment
- Suitable for floor scales, blending & mixing systems and batching systems, etc.

Schematic

- Red: + input
- Black: - input
- White: - output
- Green: + output



Capacities		L	L1	L2	L3	L4	L5	H1	H2	H3	H4	H5	H6	D1	D2	D3
0.5t	mm	133.4	25.4	76.2	15.4	57.7	32	35	22	30.2	16.8	9.1	4	Ø16	Ø22	2×Ø12.3
1t~2t	mm	137	25.4	76.2	18.4	58.2	32	36.6	23.5	36.6	17.3	11.1	4	Ø16	Ø22	2×Ø12.3

Specifications

Rated Output	2.0mV/V ±0.1% (SBTL) / 1.8mV/V ±0.1% (SBTL-ESH)	Safe Temp. Range	-10°C to + 70°C
Zero Balance	±1% of rated output	Temp. Compensated	-10°C to + 40°C
Creep after 30 minutes	±0.03% of rated output	Safe Overload	150%
Nonlinearity	±0.03% of rated output	Input Impedance	387 ohm ± 20 ohm
Hysteresis	±0.03% of rated output	Output Impedance	350 ohm ± 5 ohm
Repeatability	±0.03% of rated output	Insulation Resistance	≥5000 M ohm (50V DC)
Temp. effect on output	≤0.002% of applied output/°C	Rated Excitation	10V DC/AC
Temp. effect on zero	≤0.002% of rated output/°C	Maximum Excitation	15V DC/AC
Wire Length	6m	Wire Material	Red(+E) Black(-E) White(-S) Green(+S)