



TRANSCELL TECHNOLOGY, INC.



MODEL

TI-500 RF Series

**Digital Weight Indicator
(with wireless weighing capability)**

User Manual

Revision 1.3 July 9, 2012

Table of Contents

OVERVIEW	3
Scope of TI-500 RF Series	3
BASIC OPERATION	4
Getting Started – Cabled Systems.....	4
Getting Started – Wireless Systems	4
Operation – TI-500 RF and TI-500 RF SS.....	4
Operation – TI-500 RFTM.....	4
Replacing the batteries – TI-500 RFTM.....	5
Rechargeable battery information – TI-500 RF SS	6
DISPLAY & KEYPAD DETAILS	7
ADVANCED OPERATION.....	9
Hold operation:	9
NET Weighing	9
Piece Counting	10
Peak Hold Mode.....	11
Accumulation (Totaling)	11
Printer	12
Adjusting the Time and Date on the Printout	12
Set Point Control (RELAY OPTION)	13
ERROR MESSAGES.....	17
SPECIFICATIONS	18
TROUBLESHOOTING.....	19

©Transcell Technology, Inc. 2010-2012. All rights reserved.

The information contained herein is the property of Transcell Technology and is supplied without liability for errors or omissions. No part may be reproduced or used except as authorized by contract or other written permission. The copyright and the foregoing restriction on reproduction and use extend to all media in which the information may be embodied.

Contents subject to change without notice.



THIS EQUIPMENT CONTAINS NO USER SERVICEABLE COMPONENTS.

- Servicing of the equipment must only be carried out by trained and authorized personnel.
- Use only the AC adapter supplied with the scale. Other adapters may cause damage.



Routine maintenance

- Harsh abrasives, solvents, scouring cleaners and alkaline cleaning solutions should not be used; especially on the display window.
- The outside of the product may be wiped down with a clean cloth, moistened with water containing a small amount of soap.

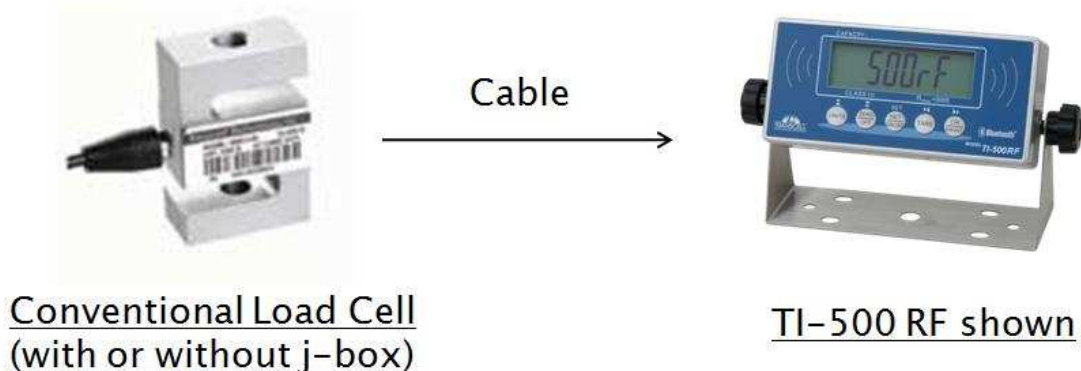
This manual covers the following products:

<i>Model</i>	<i>Display</i>	<i>Antenna</i>	<i>Enclosure Type</i>
TI-500 RF	LCD	Internal	Aluminum/ABS
TI-500 RF SS	LCD	External	Stainless Steel
TI-500 RFTM-B1	N/a	Internal	ABS
TI-500 RFTM-B1E	N/a	External	ABS

OVERVIEW

Scope of TI-500 RF Series

Out of the box, the TI-500 RF series indicator operates as a basic, cabled digital weight indicator. The load cell(s) and/or j-box is connected to the indicator's internal A/D converter. This configuration is depicted in the following diagram:



When sold with an external TI-500 RFTM (Radio Frequency Transceiver Module) and an optional wireless radio, your TI-500 RF series indicator is transformed from "wired" to cable-free. This configuration is depicted in the following diagram:



Our products currently use reliable and popular Bluetooth® wireless technology.

This manual covers operation and troubleshooting. For installation, configuration and calibration of the RF series indicators please refer to the separate installer's guide.

BASIC OPERATION

Getting Started – Cabled Systems

1. Press and hold the ON/PRINT key on the digital indicator unit for two seconds.
After a brief initialization period, the scale will revert to a zero (“0”) weight display.

Your scale is now ready for operation!

Getting Started – Wireless Systems

1. Switch on the RF weighing module(s) by pressing the BLUE button once. The blue LED will turn solid for a few seconds and then start to flash.
2. Next press and hold the ON/PRINT key on the digital indicator unit for two seconds.
After a brief initialization period, the scale will revert to a zero (“0”) weight display.

Your wireless scale is now ready for operation!

Operation – TI-500 RF and TI-500 RF SS

Before weighing it is necessary to check if the scale is unloaded and indicating zero weight in the desired unit of measure, for example lb for pounds.

If the indicator is not displaying the desired unit of measure, press the UNITS key repeatedly until it is indicated, e.g. lb for pounds, kg for kilograms, etc.

The indicator features an automatic zero correction meaning that small deviations will be zeroed automatically. If the indicator does not automatically determine the zero point, please press the ZERO/OFF key once briefly.

Operation – TI-500 RFTM

The TI-500 RFTM contains two buttons and one LED.

- The BLUE button is used to power up the RF weighing module
- The RED button is used to immediately power down the RF weighing module

The TI-500 RFTM has several operating modes to save battery life and also to alert the user when it’s time to replace the batteries. You can determine the operating mode by observing the blinking behavior of the blue LED:

LED Functionality – Blinking interval		
During Power-up (Initialization)		ON for 5 seconds
FULL BATTERY	Blink interval	
Working Mode	1.5 seconds	
Sleep Mode (power savings)	4 seconds	
LOW BATTERY	Blink interval	
Working Mode	10 seconds	Double Flash
Sleep Mode	10 seconds	Double Flash

Please replace the batteries when the blink interval is 10 seconds!

NOTE 1: TI-500 RFTM will shut down completely within two hours of a lost connection with the indicator.

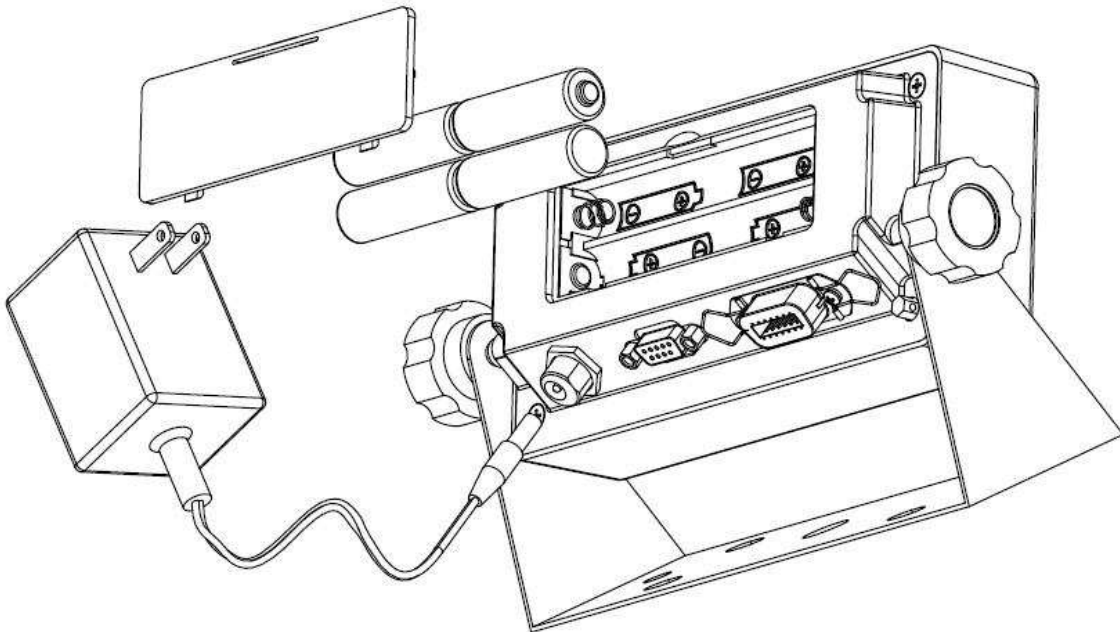
NOTE 2: TI-500 RFTM will only enter sleep mode when the TI-500 RF indicator is OFF.

When shipped from the factory, the TI-500 RF digital indicator is configured to automatically switch off after 5 minutes if not in use.

Replacing the batteries – TI-500RF

The TI-500 RF digital indicator can operate either from its AC adaptor or from 4-AA batteries.

1. Remove the plastic battery cover from the rear panel.
2. Remove four AA batteries and discard.
3. Observing the proper direction (polarity), install the new batteries.
4. Replace the battery cover.



Replacing the batteries – TI-500 RFTM

An optional cylindrical battery holder is available which requires 4 "C" cell alkaline batteries.

1. Turn the TI-500 RFTM OFF (Press the RED button)
2. Locate the metal battery cylinder
3. Unscrew either end cap to reveal batteries
4. Exchange the batteries – be careful to note polarity
5. Replace the end cap
6. Re-install the metal battery cylinder

Rechargeable battery information – TI-500 RF SS

The TI-500 RF SS contains an internal lead-acid rechargeable battery. Before using the indicator for the first time, please charge the battery overnight.

The indicator's battery should operate for about 85 hours if left on continuously. The display unit is configured to power down after 5 minutes of inactivity but this parameter can be changed through the A10 menu setting.

The battery can be charged while ON or OFF and the indicator can be operated while it's charging unless the state of charge is very low.

WHEN TO CHARGE THE INTERNAL BATTERY

The best time to charge the sealed lead-acid type battery is any time the indicator is not in use. You need not wait for the Low Battery Indication – in fact it's best that you don't. Charging the battery when not in use keeps the battery "fresh" and is the recommended way to manage it.

When the battery needs to be charged, the Low Battery Indicator will start blinking in the upper left-hand corner of the display. The indicator may be used for an additional 2 minutes before it automatically powers down. ***It is imperative that you charge the battery at this time to avoid permanent damage.***

HOW TO CHARGE THE INTERNAL BATTERY

1. Connect the charger (AC Adapter 12 VDC, 800mA) to the scale, and then plug the charger into an AC outlet. ***Make sure that the AC voltage appearing at the wall outlet matches the input voltage marked on the AC adapter.***
2. After the charging period expires, unplug the charger from the AC outlet, then from the scale. The scale is now ready for use under its own battery power.

NOTE: The charger may be left connected to the scale indefinitely without damage to the internal battery.

HOW LONG TO CHARGE THE INTERNAL BATTERY

In general, the battery should be allowed to charge a minimum of 1.5 hours for every hour of use. If you discharge the battery below 50% and do not allow the proper time for charging, you may start to notice a decline in the usage period. This is normal and eventually the battery must be replaced.

REPLACING THE BATTERY

The recommended practice when removing the battery is to disconnect the ground connection (black) first, then the red terminal. This ensures that a short circuit will not occur from a battery lead or fuse lead touching the grounded housing while disconnecting the other terminal. Similarly, the ground should be connected last when installing a new battery.

The US government has classified the internal battery as hazardous waste. Do not place battery into landfill. An automotive store or a local waste agency may accept the batteries for recycling. Contact the manufacturer for more information.

DISPLAY & KEYPAD DETAILS

This model utilizes a 6-digit LCD (Liquid Crystal Display) with adjustable LED backlight. The Table below summarizes the display annunciators.



Symbol

Display



Displays when the scale is on Zero.

N

Indicates that the indicator is displaying net weight (Gross weight minus Tare weigh).

G

Indicates that the indicator is displaying gross weight

T

Indicates that a push-button tare weight has been established in the system

P

Indicates that the indicator is in PEAK HOLD mode

lb

Indicates that the unit of the displayed weight is in pounds

kg

Indicates that the unit of the displayed weight is in kilograms

g

Indicates that the unit of the displayed weight is in grams

oz

Indicates that the unit of the displayed weight is in ounces

pcs

Indicates that the scale is in piece count mode and is displaying the current number of pieces on the platform



This light is on whenever the scale is at rest (stable reading).



When blinking, indicates that battery life of the indicator has reached its useful end and needs to be recharged or replaced soon. More information below

The TI-500 RF digital indicator can show overall system battery health. See the Error Messages for more information.

The keypad is composed of a total of five (5) function keys.



Keypad Functions

- Units** This key toggles the indicator between lb and kg.
- Zero/Off** This key sets the indicator to display zero weight provided the following conditions are met:
1. The indicator is displaying Gross weight.
 2. The scale is not in motion.
 3. The scale is not in overload (see error codes).
- Press and hold for five seconds to shut the unit OFF.**
- Net/Gross** This key toggles the indicator between Gross weight and Net weight - but only if a Tare weight has been established first
- Tare** This key is used to establish a Tare weight provided the following conditions are met:
1. The indicator is displaying a Gross weight above zero.
 2. The scale is not in motion.
 3. The scale is not in overload (see error codes).
- If a tare weight has already been established, this key cancels the current tare weight.
- On/Print** Press and hold for two seconds to turn the unit ON. When the unit is on, this key is used to send weight information out to the serial port provided the following conditions are met:
1. The scale is not in motion.
 2. The scale is not in overload (see error codes).

ADVANCED OPERATION

Hold operation:

This mode of operation is enabled by setting F30 to "5" in the Setup Menu (see separate installer's guide for more information). This mode captures the weight of an unstable load, e.g. livestock, by freezing the weight on the display. Use the Motion Band setting (F5) and the Percentage Hold setting (F12) to adjust this mode to your specific application. When the weight has been locked onto the display, two arrows beneath the weight display will be turned ON.

There are several specific hold modes, which are selected thru the A11 setting.

AUTOMATIC (A11 = 1) – Automatically locks weight on the display when stable. If the weight of the object on the scale changes by the F12 setting (e.g. 10%) then the scale unlocks the held reading and relocks onto the new weight. This occurs during both increasing and decreasing weight values.

MANUAL (A11 = 2) – Press the NET/GROSS key before applying any weight to the scale. After the load has stabilized, the display will hold the weight reading on the screen until the NET/GROSS key is pressed again. If the weight of the object on the scale changes by the F12 setting (e.g. 10%) then the scale unlocks the held reading and relocks onto the new weight. This occurs during increasing weight values only.

PEAK HOLD (A11 = 3) – The display updates as the load increases but not as the load decreases. The value shown on the screen is the maximum weight applied to the scale. Press the UNITS key to toggle between live mode and peak hold mode. The 'P' annunciator is used to indicate that you are in Peak Hold mode. When you exit out of peak hold mode, the old peak value is automatically cleared.

NET Weighing

Gross weight refers to the total weight of a product and its packaging. Conversely, **net weight** refers to the weight of the product alone, discounting the weight of its container or packaging; and **tare weight** is the weight of the packaging alone.

NOTE: This indicator stores the current tare weight in memory if the indicator is properly powered OFF. If a tare weight is present at startup, the indicator will revert to NET weighing mode and apply the stored tare weight.

1. If weighing an item in a container, place the empty container onto the scale's platter
2. After allowing the weight indication to stabilize, press the TARE key.
The display shows zero weight and the NET annunciator is activated
3. Place the object to be weighed on the scale's platter and allow the weight indication to stabilize.
The reading shown is the net value of the applied load
4. If necessary, toggle between the gross weight and the net weight by pressing the NET/GROSS key
5. Press the TARE key again to clear the tare value and return to gross weighing mode

Piece Counting

IMPORTANT NOTE: The piece counting function cannot be used in commercial (NTEP) applications.

This mode of operation is enabled by setting F30 to “3” in the Setup Menu (see separate installer’s guide for more information). This mode is used to indicate the number of pieces of an item you have placed on the scale’s platform and is accessed by pressing the UNITS key. To ensure accuracy, the parts you are counting must be consistent in weight.

The indicator uses the sampling method to determine the average piece weight (APW) of the items you wish to count. When sampling items, always count the parts in your hand and place them on the platform all at once. If the APW of the items is too light or the total weight of the sample is too light, accuracy cannot be guaranteed. You will get an error message, but piece counting will still be allowed. This indicator does not retain the piece weight when powered down.

1. If the items you will be counting require a container, you must first tare the container off by pressing the TARE key.
2. Press the NET/GROSS key until “Add 5” is indicated on the display. The indicator is prompting you to place five identical items on the platform.
NOTE: If you wish to change the sample number, simply press the UNITS key repeatedly until the desired sample number appears. Available choices are 5, 10, 20, 25, 50 and 100. If you continue to push the UNITS key, the indicator will resort back to weighing mode and you must start again from Step 2.
3. Place the sample items on the platform all at once and wait two seconds for the weight to stabilize.
4. Press the NET/GROSS key to take the sample. If the sample size is large enough, the indicator now displays the number of pieces on the platform and the “PCS” annunciator is lit. If not, the indicator briefly displays “Lo”.
NOTE: If the indicator continues to display “Lo” even after sampling 100 pieces, the unit weight of the items you wish to count is too light for your scale to process accurately.
5. To exit the piece count mode, press the UNITS key.
NOTE: The APW will NOT remain in scale memory when you exit piece counting mode.

Peak Hold Mode

IMPORTANT NOTE: The peak hold function cannot be used in commercial (NTEP) applications.

This mode of operation is enabled by setting F30 to “5” in the Setup Menu and A11 to “3” in the User Menu (see separate installer’s guide for more information). This mode is used to indicate and hold the peak weight recorded during a specific process. The most common application is testing the breaking point of a part or assembly. The TI-500 RF records both positive and negative peak weights.

1. Push the UNITS key to active peak hold mode; the “P” annunciator turns ON.
2. Apply force to the piece – the display indicates and holds the peak force applied.
3. To toggle between positive and negative peak weights, use the NET/GROSS key.
4. To reset both peak values to zero, press the ZERO key.
5. To exit peak hold mode, press the UNITS key again; the “P” annunciator turns OFF.

Accumulation (Totaling)

This mode of operation is enabled by setting F30 to “1” in the Setup Menu (see separate installer’s guide for more information). The mode allows you to add weightments together to obtain a total weight. When a tare weight is active, the net weight is added automatically.

1. Load the system with the weight that is to be added.
2. Press the ON/PRINT key to add the current load to the weight accumulator.
3. The display briefly shows the message “ADDED” and then automatically returns to the weighing mode.
4. If a printer is installed, a printout will be made. The gross, net and tare weights are totaled.
5. No weight can be recorded twice. The system needs to be returned to the net zero-range before another weight can be added.
6. The subtotal can be checked by pressing the ON/PRINT key for 3 seconds. The display shows the net total weight and the number of weightings totaled so far repeatedly for 3 seconds.
7. If the PRINT key is pressed briefly during this period, the total is printed (if option is installed) and reset to 0.
8. If the PRINT key is pressed and held for 3 seconds during this period, the total is reset but not printed.
9. If no key is pressed during this period, the subtotal stays in memory and the system returns to the weighing mode after 60 seconds.

Printer

If the weighing system has been equipped with a printer, then weighing and time & date data can be printed.

Here is an example of a possible printout:

ID.NO.	123456
DATE	01/28/11
TIME	10:23 AM
GROSS	1067 lb
TARE	67 lb
NET	1000 lb
PCS	1000

NOTES:

1. Some fields may not appear on your printout, depending upon your configuration settings
2. The TARE and NET fields are printed only when a tare has been established in the system.

Adjusting the Time and Date on the Printout

Your indicator will keep track of the current time and date for you, which can then be printed on the print ticket. To adjust the time and date, you must first enter the User Menu Mode.

1. Switch off the RF digital indicator by pressing and holding down the ZERO/OFF key for about 5 seconds.
2. Press and hold down the ON/PRINT key (about 20 seconds) until the screen shows “-F-”.
3. Press the ON/PRINT (right) key once. The screen displays “-A-”.
4. Scroll down using the ZERO/OFF (down) key to reach the parameter level. The scale shows “A 1”.
5. Move from A1 to A20 by pressing the TARE (left) key repeatedly until the screen shows “A 20”.
6. Once you have arrived at A20 press the ZERO/OFF (down) key once. The screen displays “ho_xx” where ‘xx’ is the current hour, e.g. “15”. One digit will be flashing.
7. Use the four directional keys to adjust the displayed value to the actual hour value. Increase the flashing digit by pressing the UNITS key. Decrease the flashing digit by pressing the ZERO/OFF key. Pressing the TARE key or the ON/PRINT key will change the position of the flashing digit.
8. After entering the exact value, press the NET/GROSS key to save the value. The screen displays “n_xx” where ‘xx’ is the current minute, e.g. “55”. One digit will be flashing.
9. Use the four directional keys to adjust the displayed value to the actual minute value. Increase the flashing digit by pressing the UNITS key. Decrease the flashing digit by pressing the ZERO/OFF key. Pressing the TARE key or the ON/PRINT key will change the position of the flashing digit.

10. After entering the exact value, press the NET/GROSS key to save the value. The screen displays "dA_xx" where 'xx' is the current day of the month, e.g. "14". One digit will be flashing.
11. Use the four directional keys to adjust the displayed value to the actual day value. Increase the flashing digit by pressing the UNITS key. Decrease the flashing digit by pressing the ZERO/OFF key. Pressing the TARE key or the ON/PRINT key will change the position of the flashing digit.
12. After entering the exact value, press the NET/GROSS key to save the value. The screen displays "n-xx" where 'xx' is the current month of the year, e.g. "02". One digit will be flashing.
13. Use the four directional keys to adjust the displayed value to the actual month value. Increase the flashing digit by pressing the UNITS key. Decrease the flashing digit by pressing the ZERO/OFF key. Pressing the TARE key or the ON/PRINT key will change the position of the flashing digit.
14. After entering the exact value, press the NET/GROSS key to save the value. The screen displays "yE_xx" where 'xx' is the current month of the year, e.g. "11". One digit will be flashing.
15. Use the four directional keys to adjust the displayed value to the actual year value. Increase the flashing digit by pressing the UNITS key. Decrease the flashing digit by pressing the ZERO/OFF key. Pressing the TARE key or the ON/PRINT key will change the position of the flashing digit.
16. After entering the exact value, press the NET/GROSS key to save the value and revert back up to the parameter level, e.g. "A 20".
17. In order to save all parameter settings, it is imperative to exit all menus in the following manner: At the parameter level, press the UNITS (up) key twice (two times) to exit the User Menu. The indicator displays 'SAvE' and then automatically powers off.

Set Point Control (RELAY OPTION)

This mode requires an optional relay board. This mode of operation is enabled by setting F30 to "6" in the Setup Menu (see separate installer's guide for more information). The mode allows you to add two ingredients to a mixture by weight or signal that a target weight has been reached.

The weight of each ingredient to be added to the mixture is called a set point. The set points can be entered from the front panel of the indicator.

Optional relay technical specifications: Type: Zettler AZ833-12DE

Coil voltage: 12VDC

Switched capacity: max. 30VDC/2A

The choice of relay application is made when the system is ordered and the application is selected in the parameter menu (see separate installer's guide for more information).

The instructions for use depend on which application is chosen.

Three different applications are possible;

- 1 – Unlatched target weight signal (one set point)
- 2 – Latched dosing/filling with manual start (two set points)
- 3 – Latched dosing/filling with auto start and (two set points)

Target weight signal

In this application, relay 1 is activated as soon as the gross or net weight value exceeds the set-point 1 value. Conversely, relay 1 is de-activated as soon as the gross or net weight value drops below the set-point 1 value. In this application, the set-point value is an absolute value.

To enter a new set point value:

1. Press the NET/GROSS key.
The display shows the last entered value with the left digit blinking. The pointer for set-point 1 is on.
2. Press NET/GROSS to accept the old value.
3. The set-point value is activated and the display returns to the weighing mode.

Or

1. Press the NET/GROSS key.
The display shows the last entered value with the left digit blinking. The pointer for set-point 1 is on.
2. Use the four directional keys to adjust the displayed value to the actual set point. Increase the flashing digit by pressing the UNITS key. Decrease the flashing digit by pressing the ZERO/OFF key. Pressing the TARE key or the ON/PRINT key will change the position of the flashing digit.
3. After entering the exact value, press the NET/GROSS key to save the value. The screen displays "SET" briefly. The set-point value is activated and the display returns to the weighing mode.

Dosing/filling with manual start

In this application, relays 1 and 2 are switched on as soon as the TARE key has been pressed
NOTE: set-point values must have been entered already.

To enter new set-point values:

1. Press the NET/GROSS key.
The display shows the last entered value with the left digit blinking. The pointer for set-point 1 is on.
2. Press NET/GROSS to accept the old value.
The display shows the last entered value with the left digit blinking. The pointer for set-point 2 is on.
3. The set-point value is activated and the display returns to the weighing mode.

Or

1. Press the NET/GROSS key.
The display shows the last entered value with the left digit blinking. The pointer for set-point 1 is on.
2. Use the four directional keys to adjust the displayed value to the actual set point. Increase the flashing digit by pressing the UNITS key. Decrease the flashing digit by pressing the ZERO/OFF key. Pressing the TARE key or the ON/PRINT key will change the position of the flashing digit.
3. After entering the exact value, press the NET/GROSS key to save the value.
The pointer for set-point 2 is on.
4. After entering the exact value, press the NET/GROSS key to save the value. The screen displays "SET" briefly. The set-point value is activated and the display returns to the weighing mode.

Filling:

1. Place an empty container onto the scale.
2. Press the TARE key.
The display shows the net value and the pointers stp1 and stp2 are on.
Relays 1 and 2 are closed.
3. As soon as set-point 1 is reached, pointer stp1 will turn off and relay 1 will be opened.
4. As soon as set-point 2 is reached, pointer stp2 will turn off and relay 2 will be opened.
5. The display shows "done" for a few seconds and then returns to the normal weighing mode.
The net weight is displayed. A printout may be made at this point.

Cancel the filling procedure at any time by pressing the NET/GROSS key (see Cancelling the dosing or filling).

Dosing:

1. Place a full container on the scale.
2. Press the TARE key.
The display shows the net value and the pointers stp1 and stp2 are on.
Relays 1 and 2 are closed.
3. As soon as set-point 1 is reached, pointer stp1 will turn off and relay 1 will be opened.
4. As soon as set-point 2 is reached, pointer stp2 will turn off and relay 2 will be opened.
5. The display shows "done" for a few seconds and returns in the normal weighing mode.
6. The net weight is displayed. A printout may be made at this point.

Cancel the filling procedure at any time by pressing the NET/GROSS key (see Cancelling the dosing or filling).

The printout will show the following:

- The gross weight is the weight of the container with rest material.
- The tare weight is the weight of the container with material before dosing.
- The net weight will show a minus sign as token of weight being removed from the scale.

Dosing/filling with automatic start

In this application, set-point 1 and 2 are switched on as soon as the set-point values have been entered.

Attention: The tare action is done automatically in this mode. Be sure the container is in place before starting!

To enter new set-point values:

1. Press the NET/GROSS key.
The display shows the last entered value with the left digit blinking. The pointer for set-point 1 is on.
2. Press NET/GROSS to accept the old value.
The display shows the last entered value with the left digit blinking. The pointer for set-point 2 is on.

3. The set-point value is activated and the display returns to the weighing mode.
- Or
1. Press the NET/GROSS key.
The display shows the last entered value with the left digit blinking. The pointer for set-point 1 is on.
 2. Use the four directional keys to adjust the displayed value to the actual set point. Increase the flashing digit by pressing the UNITS key. Decrease the flashing digit by pressing the ZERO/OFF key. Pressing the TARE key or the ON/PRINT key will change the position of the flashing digit.
 3. After entering the exact value, press the NET/GROSS key to save the value. The pointer for set-point 2 is on.
 4. After entering the exact value, press the NET/GROSS key to save the value. The screen displays "SET" briefly. The set-point value is activated and the display returns to the weighing mode. The display shows TARE and the indicator automatically tares out the scale after the scale has been stable for a few seconds.

Filling & Dosing:

1. The display shows the net value and the pointers stp1 and stp2 are on. Relays 1 and 2 are closed.
2. As soon as set-point 1 is reached, pointer stp1 will turn off and relay 1 will be opened.
3. As soon as set-point 2 is reached, pointer stp2 will turn off and relay 2 will be opened.
4. The display shows "done" for a few seconds and then returns to the normal weighing mode. The net weight is displayed. A printout may be made at this point.

Cancel the filling or dosing procedure at any time by pressing the NET/GROSS key (see Cancelling the dosing or filling).

The printout will show the following:

- The gross weight is the weight of the container with rest material.
- The tare weight is the weight of the container with material before dosing.
- The net weight will show a minus sign as token of weight being removed from the scale.

Cancelling the dosing or filling

Cancel the filling or dosing procedure at any time by pressing the NET/GROSS key.

1. Press the NET/GROSS key to stop the procedure.
The display shows "stop" and the relays are opened.
Pointers stp1 and stp2 will be turned off.
2. Press NET/GROSS to start the procedure again.
The display message "stop" is cleared and the net weight is displayed again.
The relays are closed. Pointers stp1 and/or stp2 will be turned on.

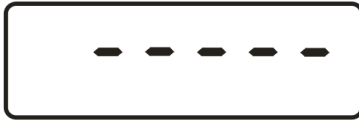
Or

1. Press the NET/GROSS key to stop the procedure.
The display shows "done" for a few seconds and will return in the normal weighing mode.
The net weight is displayed.

ERROR MESSAGES



Indicates that the weighing capacity of the scale has been exceeded.



Indicates that the weight on the scale is negative. Press the **Zero/Off** key.



TI-500 RFTM #1 not found; ensure that it is powered ON or move it closer to the digital indicator.
WIRELESS SYSTEMS ONLY



NOTE: Dual systems only
TI-500 RFTM #2 not found; ensure that it is powered ON or move it closer to the digital indicator.
WIRELESS SYSTEMS ONLY



TI-500 RFTM #1 batteries have been depleted and need to be replaced. **WIRELESS SYSTEMS ONLY**



TI-500 RFTM #2 batteries have been depleted and need to be replaced. **WIRELESS SYSTEMS ONLY**



Both TI-500 RFTM #1 *and* #2 batteries have been depleted and need to be replaced. **WIRELESS SYSTEMS ONLY**



Battery in TI-500 RF indicator need to be recharged or replaced.



Battery in digital indicator need to be recharged or replaced *and* TI-500 RFTM #1 batteries need to be replaced.



Battery in digital indicator need to be recharged or replaced *and* TI-500 RFTM #2 batteries need to be replaced.



Battery in digital indicator need to be recharged or replaced *and* both TI-500 RFTM batteries need to be replaced.

Err 24	Value for SP1 is greater than value for SP2.
Err 99	Parameter menus blocked. Toggle calibration switch back to its original position.
No-ad	Weighing platform not detected

SPECIFICATIONS

Digital Indicator Specifications – TI-500 RF

- Aluminum/ABS enclosure
- 0.8", 6 digit LCD w/LED backlight
- Operating temperature 14°F to 104°F (-10°C to 40° C)
- External DSUB9 connection port for optional printer
- Tilt adjustable bracket included

Digital Indicator Specifications – TI-500 RF SS

- Stainless steel enclosure
- 0.8", 6 digit LCD w/LED backlight
- Operating temperature 14°F to 104°F (-10°C to 40° C)
- Internal connection port for optional printer
- Tilt adjustable bracket included

Bluetooth Specifications

- 2.0, Class I
- Up to 100m unobstructed
- (ISM) band at 2.4 to 2.485 GHz

Digital Indicator Battery – TI-500 RF

- 4 AA alkaline
- User replaceable
- 85+ continuous hours of operation under typical operating conditions

Digital Indicator Battery – TI-500 RF SS

- 6 volt 3 Ah internal rechargeable lead acid battery
- 115+ continuous hours of operation on full charge under typical operating conditions

OPTIONAL TI-500 RFTM Battery Holder

- Holds 1.5 volt x 4 "C" alkaline
- User replaceable
- 130+ continuous hours of operation under typical operating conditions

TROUBLESHOOTING

Issue / Recommendation

“Low Battery” icon blinks on the digital readout, then the indicator powers off.

Replace or recharge the batteries.

Weight reads out lower at one end of the weighing platform than the other end.

- Check for any type of mechanical binding or impingement of scale that is displaying the lower weight
- Check underneath the scale for any obstructions or foreign debris
- Make sure that the scale feet are not screwed in so far as to restrict downward movement of the scale.
- Adjust platform corners using variable trimmer junction box (if supplied)

Indicator displays six small zeros.

- Scale is overloaded. Remove weight from scale.
- Cut, damaged, loose, pinched cable between indicator and platform or within platform with multiple load cells (*cabled configuration only)
- Load cell damaged on platform
- Internal fault with indicator; call Transcell Tech Support

Scale turns off on its own.

The indicator has a power conservation feature, set to automatically power off the scale after 30 minutes of non-use. If your needs require a different setting, call Transcell Tech Support or installer.

Display is erratic.

- A battery may be fully depleted. If so, this condition can cause erratic displays. Power off the indicator and replace or recharge the battery.
- Check underneath the scale for any obstructions or foreign debris

Transcell Tech Support: (847) 419-9180

Limited 12 month Warranty

This product is warranted by Transcell Technology against manufacturing defects in material and workmanship under normal use for twelve (12) months from the date of purchase. For complete warranty details and service information, please contact us at the address below.

Transcell Technology, Inc.
975 Deerfield Parkway
Buffalo Grove, IL 60089
Tel (847) 419-9180
Fax (847) 419-1515
Web: www.transcell.com